




Submersible pumps

-  Sewage water
-  Civil use
-  Industrial use



PERFORMANCE RANGE

- Flow rate up to **2200 l/min** (132 m³/h)
- Head up to **12.2 m**

APPLICATION LIMITS

- **10 m** maximum immersion depth (with a sufficiently long power cable)
- Maximum liquid temperature **+40 °C**
- Passage of suspended solids up to **Ø 100 mm**
- Minimum immersion depth for continuous service: **550 mm**

CONSTRUCTION AND SAFETY STANDARDS

- **10 m** long power cable

EN 60335-1
IEC 60335-1
CEI 61-150

EN 60034-1
IEC 60034-1
CEI 2-3



CERTIFICATIONS

Company with management system certified DNV
ISO 9001: QUALITY



INSTALLATION AND USE

The **VXC4** series of pumps, manufactured from heavy gauge robust cast iron, resistant to abrasion and long-lasting, are fitted with a VORTEX impeller and are therefore suitable for draining **dirty, sewage and reflux water, and water mixed with putrid mud**. They are suitable for installation in sewers, tunnels, excavations, canals, underground car parks, etc.

PATENTS - TRADE MARKS - MODELS

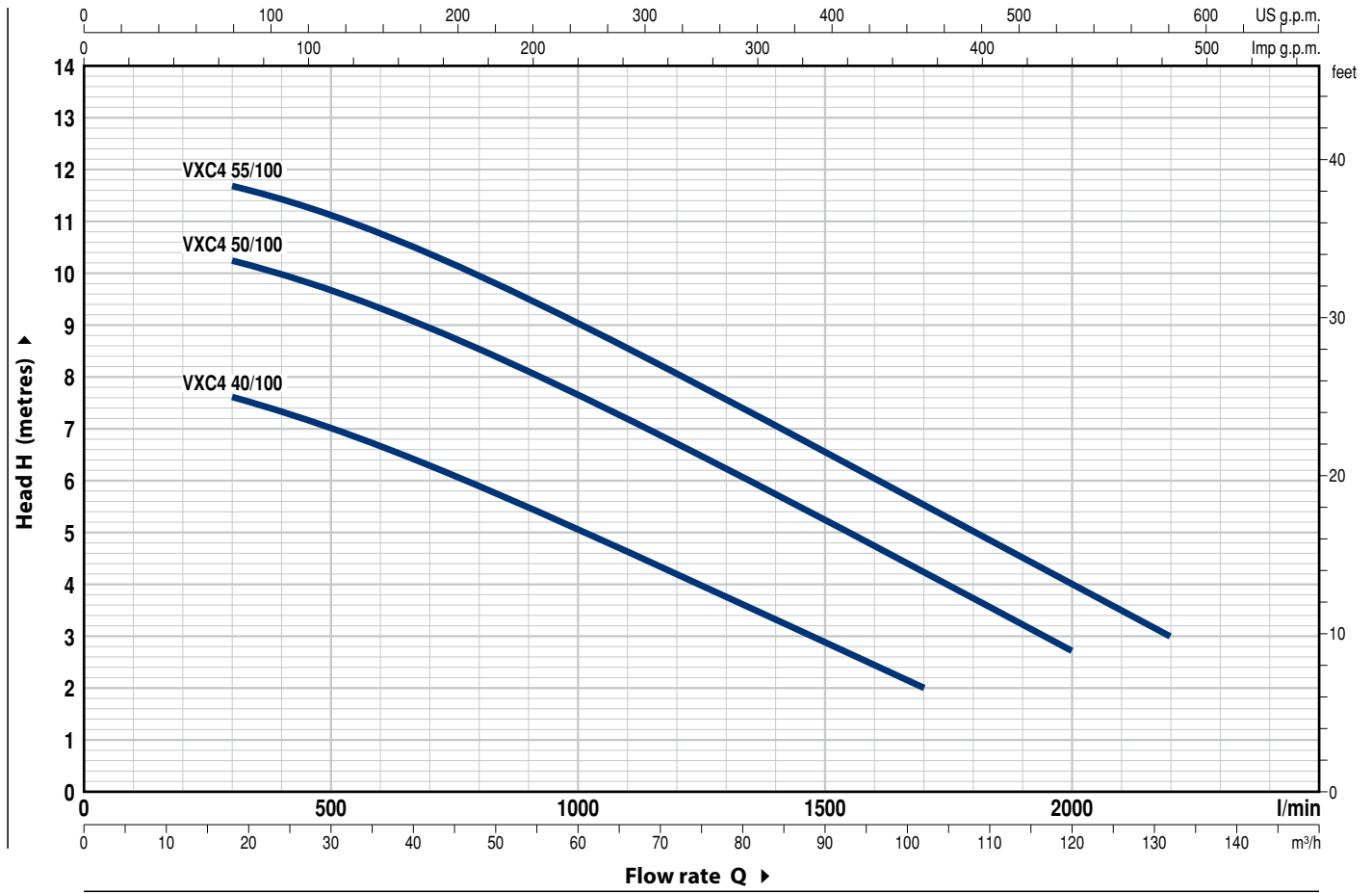
- Patent Pending

OPTIONS AVAILABLE ON REQUEST

- Pumps equipped with internal probes detecting the presence of water in the oil chamber
- Pumps with double cable for star/delta start
- Other voltages or 60 Hz frequency

CHARACTERISTIC CURVES AND PERFORMANCE DATA

50 Hz n= 1450 min⁻¹



MODEL Three-phase	POWER (P ₂)		Q	0	18	30	45	60	75	90	102	120	132
	kW	HP		0	300	500	750	1000	1250	1500	1700	2000	2200
VXC4 40/100	3	4	H metres	8.3	7.6	7	6.1	5.1	4	2.9	2		
VXC4 50/100	3.7	5		10.8	10.2	9.6	8.7	7.6	6.4	5.2	4.2	2.7	
VXC4 55/100	4	5.5		12.2	11.7	11.1	10.2	9	7.8	6.5	5.5	4	3

Q = Flow rate H = Total manometric head

Tolerance of characteristic curves in compliance with EN ISO 9906 Grade 3B.

POS. COMPONENT CONSTRUCTION CHARACTERISTICS

1	PUMP BODY	Cast iron with an Epoxy Electro Coating treatment, with threaded port in compliance with ISO 228/1
2	BASE	Cast iron with an Epoxy Electro Coating treatment
3	IMPELLER	VORTEX type in cast iron with an Epoxy Electro Coating treatment
4	MOTOR CASING	Cast iron with an Epoxy Electro Coating treatment
5	CASING	Cast iron with an Epoxy Electro Coating treatment
6	MOTOR SHAFT	Stainless steel AISI 431

7 TWO MECHANICAL SEALS SEPARATED BY AN OIL CHAMBER

Seal Model	Shaft Diameter	Position	Materials		
			Stationary ring	Rotational ring	Elastomer
MG91-40D	Ø 40 mm	Motor side	Silicon carbide	Graphite	NBR
		Pump side	Silicon carbide	Silicon carbide	NBR

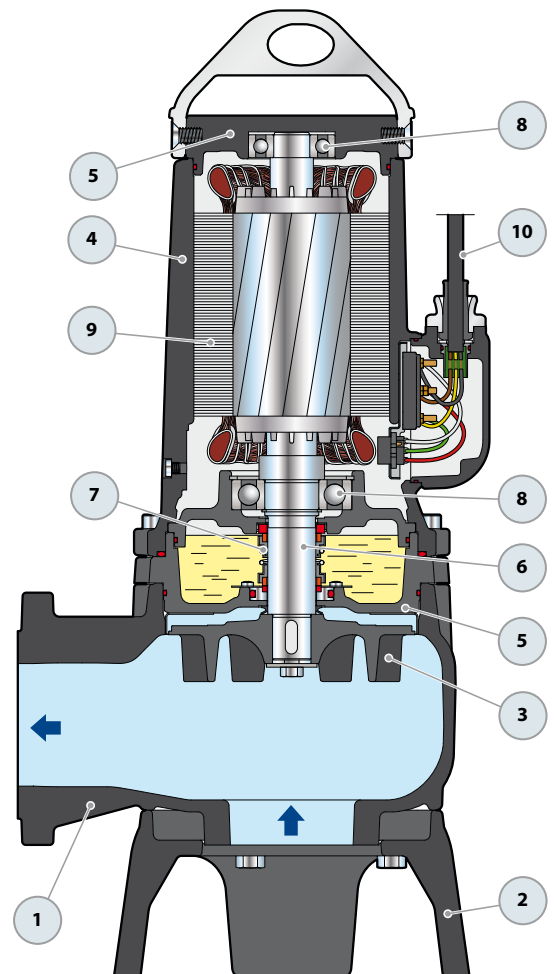
8 BEARINGS 6309 ZZ C3 ENS / 6306 ZZ C3 ENS

9 ELECTRIC MOTOR

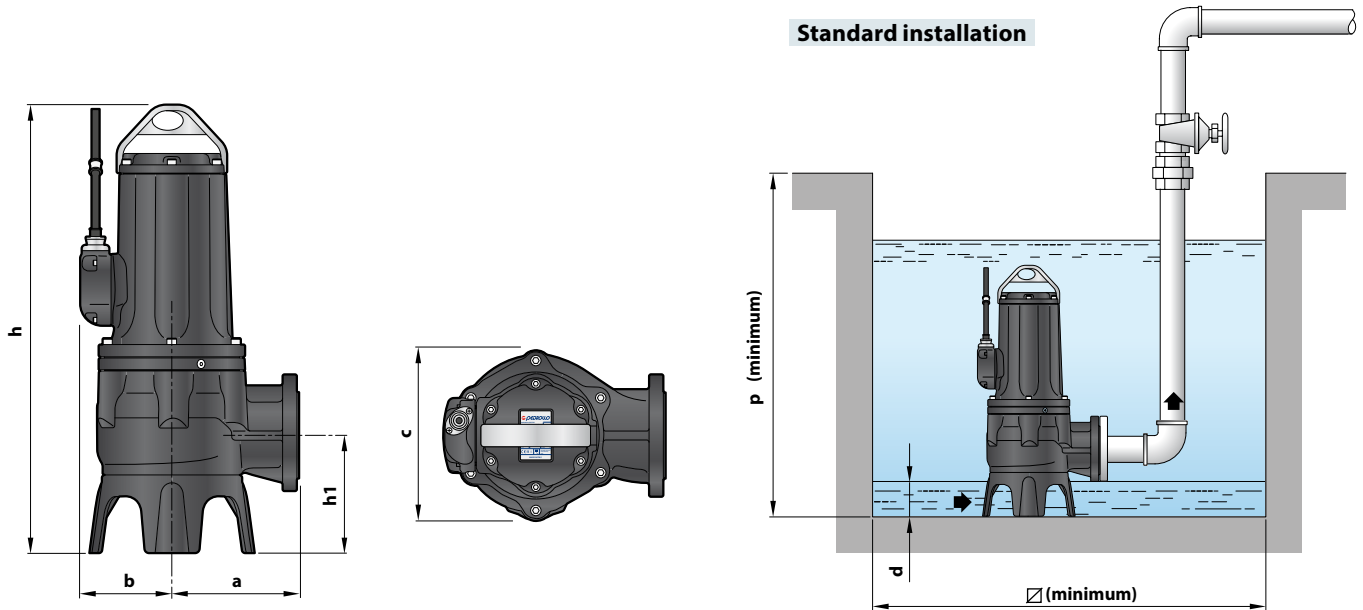
- three-phase 400 V - 50 Hz
with thermal overload protector incorporated into the winding
- Insulation: class F
- Protection: IP X8

10 POWER CABLE

"H07 RN-F" type
Standard length 10 metres

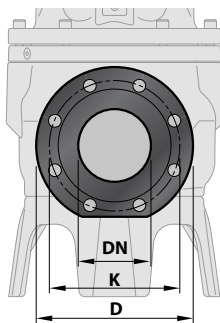


DIMENSIONS AND WEIGHT



MODEL	Passage of solids	DIMENSIONS mm								kg
		a	b	c	h	h1	d	p	Ø	
Three-phase										3~
VXC4 40/100	Ø 100 mm	228	165	302	806	211	140	1000	1000	110
VXC4 50/100										115
VXC4 55/100										118

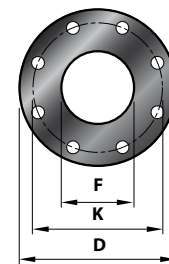
FLANGED PORT



MODEL	FLANGE DN	K mm	D mm	HOLES	
				N.	Ø (mm)
Three-phase	100 (PN10)	180	220	8	18
VXC4 40/100					
VXC4 50/100					
VXC4 55/100					

COUNTERFLANGE

(INCLUDED IN THE CONNECTION SUPPORT KIT)



MODEL	FLANGE DN	F	K mm	D mm	HOLES	
					N.	Ø (mm)
Three-phase	100	4"	180	220	8	18
VXC4 40/100						
VXC4 50/100						
VXC4 55/100						

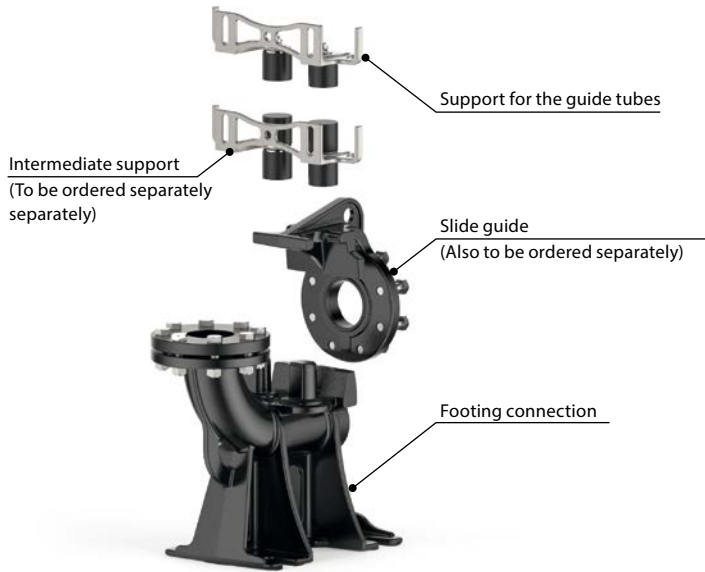
ASSORBIMENTI

MODEL	VOLTAGE
Three-phase	400 V
VXC4 40/100	5.5 A
VXC4 50/100	7.7 A
VXC4 55/100	9.0 A

PALLETIZATION

MODEL	GROUPAGE
Three-phase	n. pumps
VXC4 40/100	4
VXC4 50/100	4
VXC4 55/100	4

BASE PEDESTAL KIT VXC4 – MC4



VERTICAL DELIVERY VERSION WITH 2" GUIDE TUBES

For VXC4	Cod. ASSPVXC4V	DN 4"
For MC4	Cod. ASSPMC4V	DN 3"

Kit consisting of:

- footing connection complete with counterflange
- slide guide with screws and seals
- support for the guide tubes

STANDARD INSTALLATION

1. Pump
2. Footing connection
3. Guide tubes
4. Support for the guide tubes
5. Intermediate support for the guide tubes
6. Lifting chain
7. Control box
8. Stop float switch
9. Starting float switch
10. Starting float switch auxiliary pump
11. Alarm float switch
12. Non-return valve

SLIDE GUIDE (Also to be ordered separately)

For VXC4	Cod. ASSFL100
For MC4	Cod. ASSFL080

Complete with screws and seals

GUIDE TUBES (AISI 304 stainless steel)

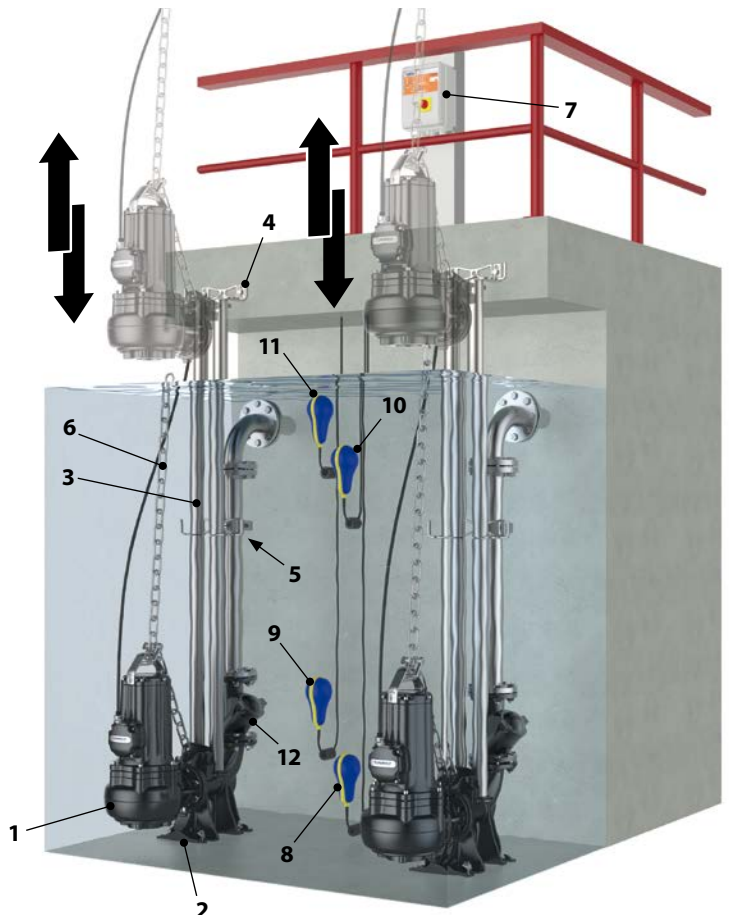
Cod. 54SARTG006	Ø 2"
-----------------	------

In order to ensure stability, insert the intermediate support every three metres of guide tube (recommended)

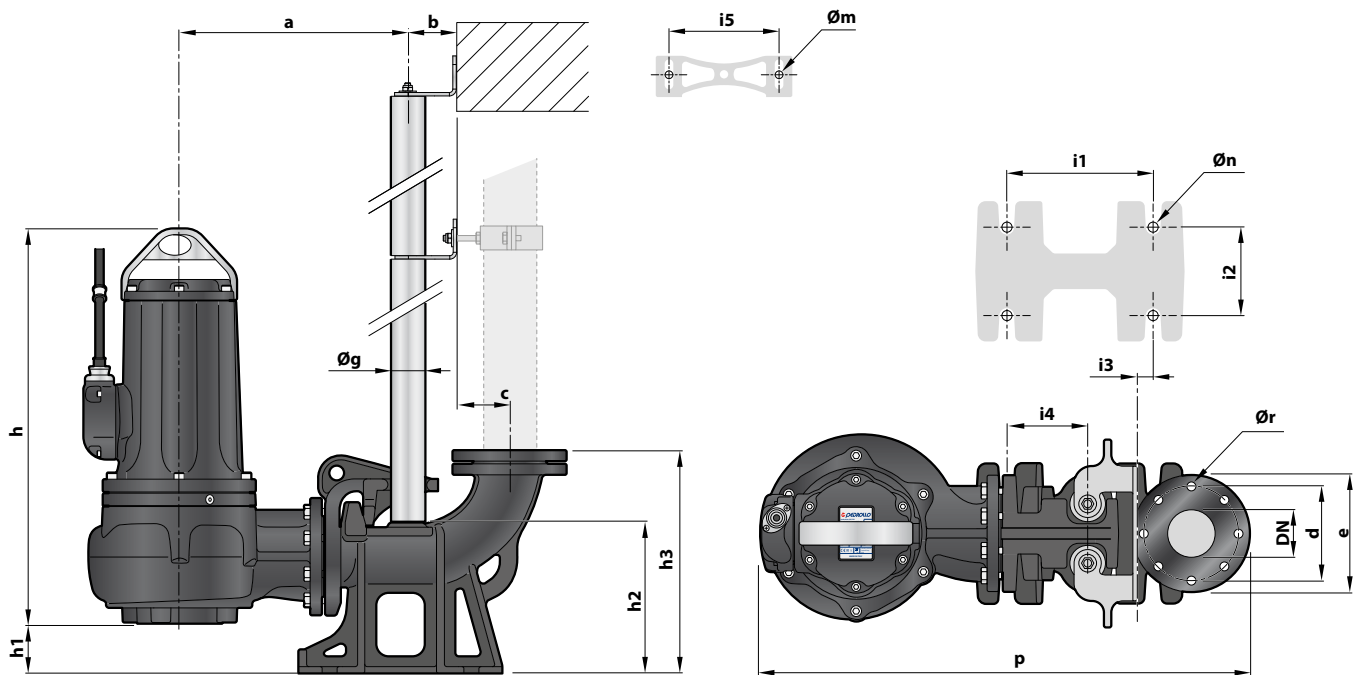
Maximum length of the tube plank: 6 metres

INTERMEDIATE SUPPORT (Can be ordered separately)

Cod. 859SV349INTFA	For guide tubes Ø 2"
--------------------	----------------------



DIMENSIONS



MODEL	Passage of solids mm	PORT DN	DIMENSIONS mm																		
			a	b	c	d	e	p	h	h1	h2	h3	i1	i2	i3	i4	i5	Øg	Øm	Øn	Ør
Three-phase																					
VXC4 40/100	Ø 100	4"																			
VXC4 50/100			376	85	105	180	220	841	695	107	266	426	250	150	34	130	186	2"	13	16	18
VXC4 55/100																					

MODEL	Passage of solids mm	PORT DN	DIMENSIONS mm																		
			a	b	c	d	e	p	h	h1	h2	h3	i1	i2	i3	i4	i5	Øg	Øm	Øn	Ør
Three-phase																					
MC4 40/55	Ø 55	3"																			
MC4 50/55			396	85	95	160	200	841	680	92	256	592	250	150	34	130	186	2"	13	16	18
MC4 55/55																					