

ALM / ALP

ELECTRIC IN-LINE PUMPS



TECHNICAL DATA

Operating range:

from 0,6 to 8,4 m³/h with head up to 21 metres.

Pumped liquid: clean, free of solids and abrasives, non-viscous, non-aggressive, non-crystallised and chemically neutral, with properties similar to water. Maximum glycol content 30% (for other glycol percentages contact Technical Support).

Pumped liquid temperature range: from -15 °C to +120 °C.

Maximum ambient temperature: +40 °C.

Maximum operating pressure: 10 bar (1000 kPa).

Unions on request: see the final ACCESSORIES table.

Special executions on requests: alternative voltages and frequencies.

APPLICATIONS

Hot or cold water circulation pump with in-line ports, suitable for installation directly on the pipework of civil and industrial heating, air conditioning, refrigeration, and sanitary water systems.

CONSTRUCTION FEATURES OF THE PUMP

Cast iron pump body and motor support for ALM 500 and ALP 2000, bronze for ALM 200 and ALP 800.

1" 1/2 M-GAS suction and delivery ports for ALM 200 and ALP 800, and 2" M-GAS for ALM 500 and ALP 2000. Technopolymer impeller. Carbon/ceramic mechanical seal.

CONSTRUCTION FEATURES OF THE MOTOR

External ventilation cooling, closed, asynchronous type, with four poles for the ALM version, and two poles for the ALP version.

Rotor running on permanently lubricated ball bearings, oversized to ensure low noise and durability.

Standard built-in thermo-amperometric protection. Capacitor permanently fitted on single phase versions.

For the protection of the three-phase motor, we recommend the use of remote overload cut-outs, in compliance with current local regulations.

Construction according to CEI 2-3.

Protection class: IP 55

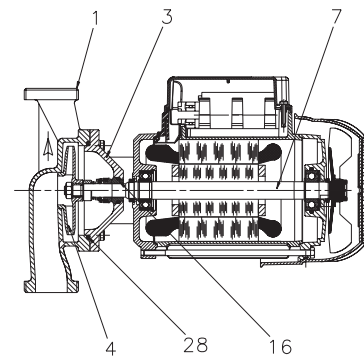
Insulation class: F

Standard voltage:	single-phase	220-240 V, 50 Hz.
	three-phase	230/400 V, 50 Hz

MATERIALS

N.	PARTS*	MATERIALS	MODELS
1	PUMP BODY	BRONZE G Cu Sn5 Zn5 Pb5 UNI 7013/8 ^a -72	ALM 200 - ALP 800
		CAST IRON 250 UNI ISO 185	ALM 500 - ALP 2000
3	SUPPORT	BRONZE G Cu Sn5 Zn5 Pb5 UNI 7013/8 ^a -72	ALM 200 - ALP 800
		CAST IRON 250 UNI ISO 185	ALM 500 - ALP 2000
4	IMPELLER	TECHNOPOLYMER	
7	SHAFT WITH ROTOR	AISI 303 STAINLESS STEEL X10 CrNiS 1809 UNI 6900/71	
16	MECHANICAL SEAL	CARBON / CERAMIC	
28	OR RING	EPDM RUBBER	

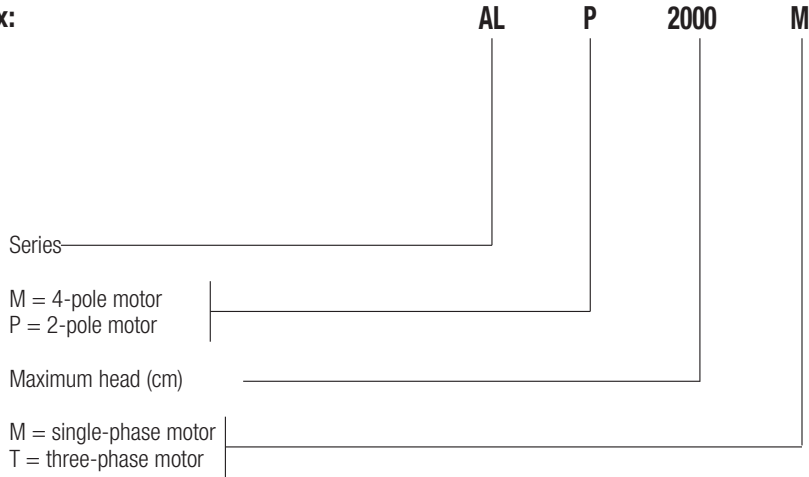
* In contact with the liquid



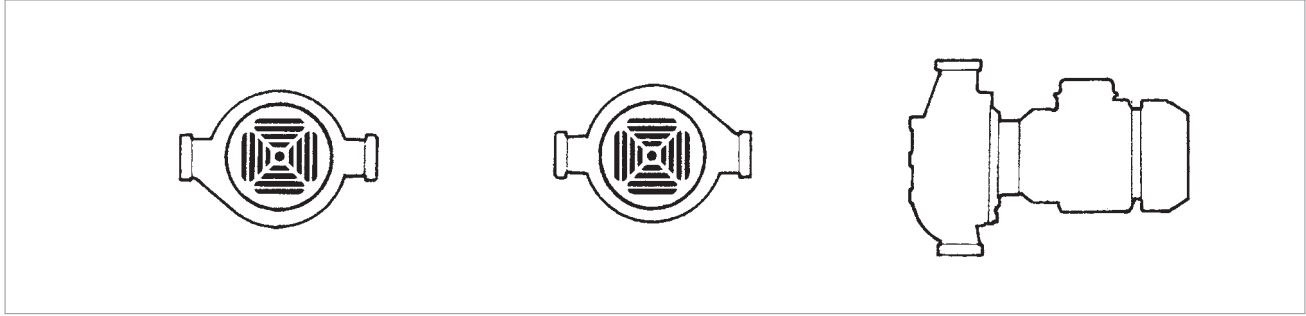
ALM / ALP

ELECTRIC IN-LINE PUMPS

– Denomination index:
(example)



Fixed horizontal installation for ALM 200 and ALP 800; both horizontal and vertical installation for ALM 500 and ALP 2000.



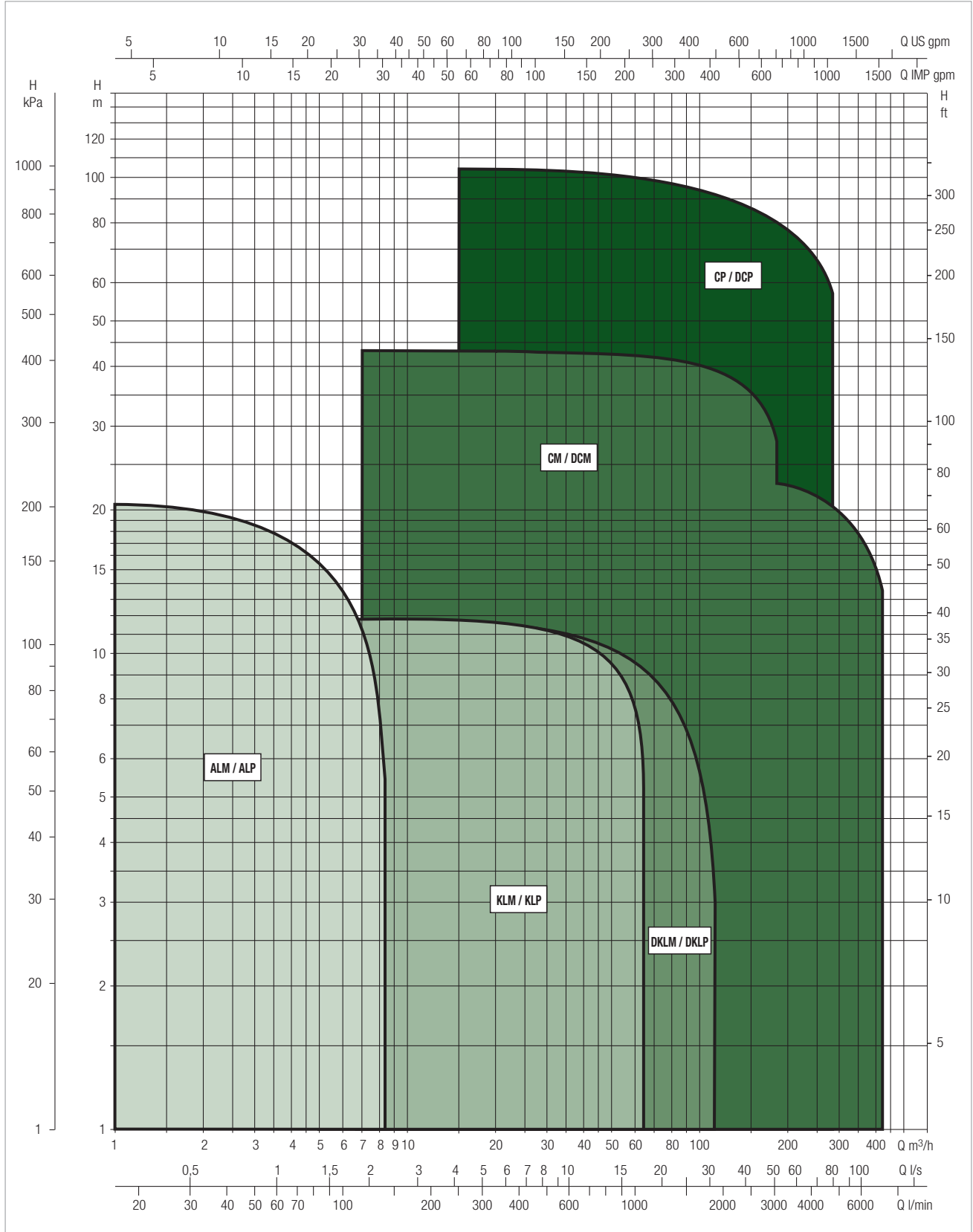
ELECTRIC IN-LINE PUMPS

IN-LINE ELECTRIC PUMPS FOR CIRCULATION SYSTEMS

PERFORMANCE RANGE

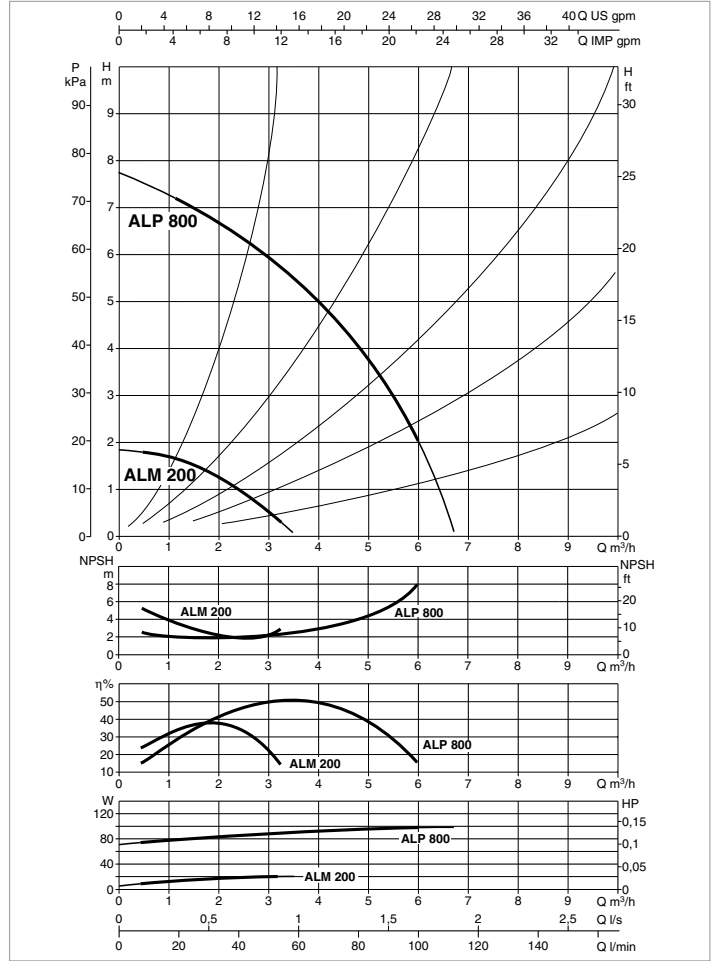
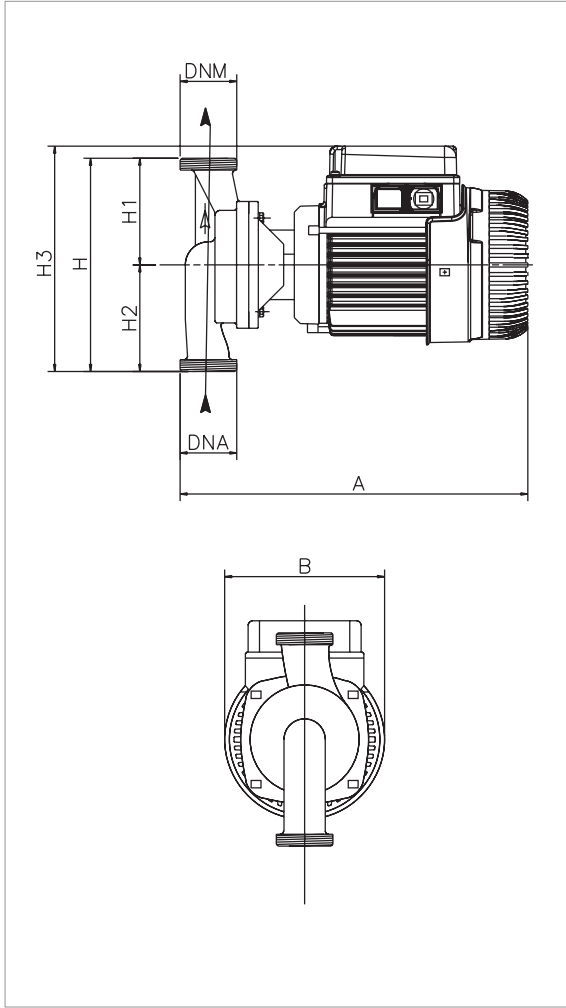
The performance curves are based on kinematic viscosity values = 1 mm²/s and density equal to 1000 kg/m³. Curve tolerance according to ISO 9906.

GRAPHIC SELECTION TABLE



ALM 200 / ALP 800 - IN-LINE ELECTRIC PUMPS FOR HEATING, AIR CONDITIONING, REFRIGERATION, SOLAR, AND SANITARY SYSTEMS - SINGLE, THREADED

Pumped liquid temperature range: from -15 °C to +120 °C - Maximum ambient temperature: +40 °C



The performance curves are based on kinematic viscosity values = 1 mm²/s and density equal to 1000 kg/m³. Curve tolerance according to ISO 9906.

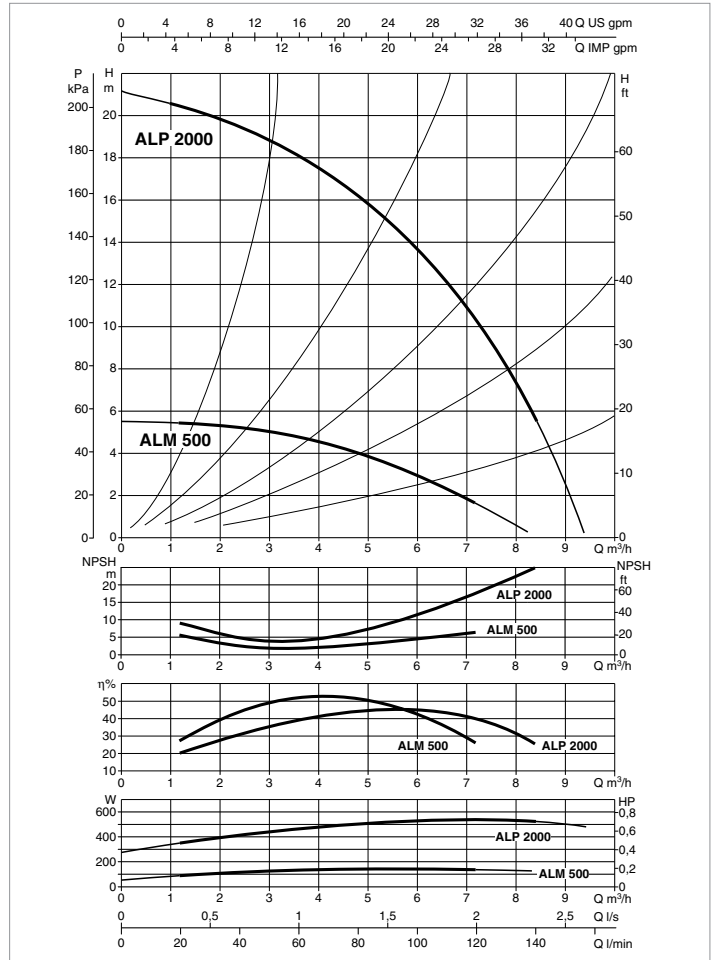
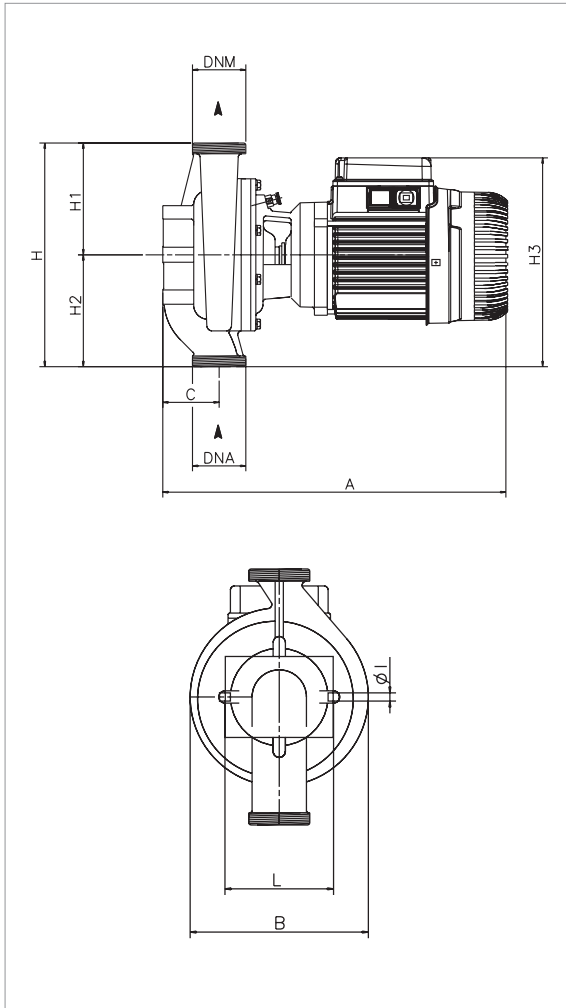
MODEL	Q=m³/h	0	1,2	2,4	3,6	4,8	6
	Q=l/min	0	20	40	60	80	100
ALM 200 M	H (m)	1,9	1,65	1			
ALM 200 T		1,9	1,65	1			
ALP 800 M		7,7	7,2	6,3	5,8	3,9	2
ALP 800 T		7,7	7,2	6,3	5,8	3,9	2

MODEL	CENTRE DISTANCE	ELECTRICAL DATA								
		POWER INPUT 50 Hz	MOTOR TYPE	n r.p.m.	P1 MAX W	P2 NOMINAL		In A	CAPACITOR	
						kW	HP		µF	Vc
ALM 200 M	180	1x220-240 V ~	4 POLES	1480	0,14	0,059	0,08	0,7	8	450
ALM 200 T	180	3x230 V ~ 3x400 V ~	4 POLES	1475	0,08	0,059	0,08	0,53-0,3	-	-
ALP 800 M	180	1x220-240 V ~	2 POLES	2925	0,24	0,37	0,5	1,4	10	450
ALP 800 T	180	3x230 V ~ 3x400 V ~	2 POLES	2915	0,20	0,37	0,5	1,2-0,7	-	-

MODEL	A	B	C	L	∅	H	H1	H2	H3	DNA NPT	DNM NPT	PACKING DIMENSIONS			VOLUME (m³)	WEIGHT kg
												L/A	L/B	H		
ALM 200	300	136	-	-	-	180	90	90	190	1 1/2" G-M	1 1/2" G-M	332	202	257	0,017	7,5
ALP 800	300	136	-	-	-	180	90	90	190	1 1/2" G-M	1 1/2" G-M	332	202	257	0,017	7,5

ALM 500 / ALP 2000 - IN-LINE ELECTRIC PUMPS FOR HEATING, AIR CONDITIONING, REFRIGERATION, SOLAR, AND SANITARY SYSTEMS - SINGLE, THREADED

Pumped liquid temperature range: from -15 °C to +120 °C - Maximum ambient temperature: +40 --°C



The performance curves are based on kinematic viscosity values = 1 mm²/s and density equal to 1000 kg/m³. Curve tolerance according to ISO 9906.

MODEL	Q=m ³ /h	0	1,2	2,4	3,6	4,8	6	7,2	8,4
	Q=l/min	0	20	40	60	80	100	120	140
ALM 500 M	H (m)	5,5	5,4	5,3	4,8	4,1	3	1,5	
ALM 500 T		5,5	5,4	5,3	4,8	4,1	3	1,5	
ALP 2000 M		21,1	20,6	19,6	18	16	13,8	10,5	5,3
ALP 2000 T		21,1	20,6	19,6	18	16	13,8	10,5	5,3

MODEL	CENTRE DISTANCE	ELECTRICAL DATA								
		POWER INPUT 50 Hz	MOTOR TYPE	n r.p.m.	P1 MAX W	P2 NOMINAL		In A	CAPACITOR	
						kW	HP		µF	Vc
ALM 500 M	250	1x220-240 V ~	4 POLES	1425	0,22	0,25	0,33	1	8	450
ALM 500 T	250	3x230 V ~ 3x400 V ~	4 POLES	1465	0,19	0,25	0,33	1-0.6	-	-
ALP 2000 M	250	1x220-240 V ~	2 POLES	2870	0,75	0,55	0,75	3,7	16	450
ALP 2000 T	250	3x230 V ~ 3x400 V ~	2 POLES	2830	0,66	0,55	0,75	2.3-1.3	-	-

MODEL	A	B	C	L	Ø	H	H1	H2	H3	DNA NPT	DNM NPT	PACKING DIMENSIONS			VOLUME (m ³)	WEIGHT kg
												L/A	L/B	H		
ALM 500	386	174	63	95	8	250	125	125	235	2" G-M	2" G-M	492	232	292	0,033	14,5
ALP 2000	386	174	63	95	8	250	125	125	235	2" G-M	2" G-M	492	232	292	0,033	14,5