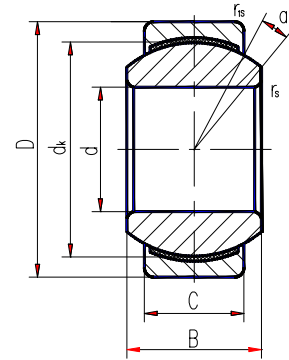




Bearings & Components

Radial Spherical Plain Bearings



PTFE

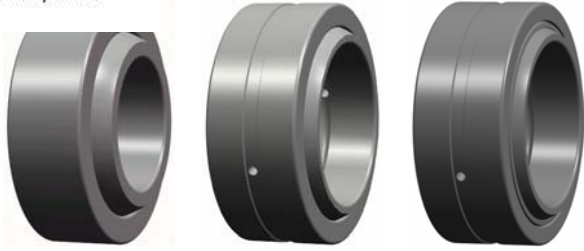
Sliding contact surfaces Steel PTFE composite material

Bearing number	Dimensions								Load ratings		Weight ≈kg
	d	D	B	C	d _k	r _s min	r _{1s} min	α° ≈	Dynamic	Static	
GE4C	4	12	5	3	8	0.3	0.3	16	2.1	5.4	0.003
GE5C	5	14	6	4	10	0.3	0.3	13	3.6	9.1	0.005
GE6C	6	14	6	4	10	0.3	0.3	13	3.6	9.1	0.004
GE8C	8	16	8	5	13	0.3	0.3	15	5.8	14	0.008
GE10C	10	19	9	6	16	0.3	0.3	12	8.6	21	0.011
GE12C	12	22	10	7	18	0.3	0.3	10	11	28	0.015
GE15C	15	26	12	9	22	0.3	0.3	8	18	45	0.027
GE17C	17	30	14	10	25	0.3	0.3	10	22	56	0.041
GE20C	20	35	16	12	29	0.3	0.3	9	31	78	0.066
GE25C	25	42	20	16	35.5	0.6	0.6	7	51	127	0.119
GE30C	30	47	22	18	40.7	0.6	0.6	6	65	166	0.163
GEG4C	4	14	7	4	10	0.3	0.3	20	3.6	9.1	0.005
GEG5C	5	16	9	5	10	0.3	0.3	21	5.8	14	0.008
GEG6C	6	16	9	5	13	0.3	0.3	21	5.8	14	0.006
GEG8C	8	19	11	6	16	0.3	0.3	21	8.6	21	0.014
GEG10C	10	22	12	7	18	0.3	0.3	18	11	28	0.021
GEG12C	12	26	15	9	22	0.3	0.3	18	18	45	0.033
GEG15C	15	30	16	10	25	0.3	0.3	16	22	56	0.049
GEG17C	17	35	20	12	29	0.3	0.3	19	31	78	0.083
GEG20C	20	42	25	16	35.5	0.3	0.3	17	51	127	0.153
GEG25C	25	47	28	18	40.7	0.6	0.6	17	65	166	0.203
GEG30C	30	55	32	20	47	0.6	0.6	17	83	212	0.304

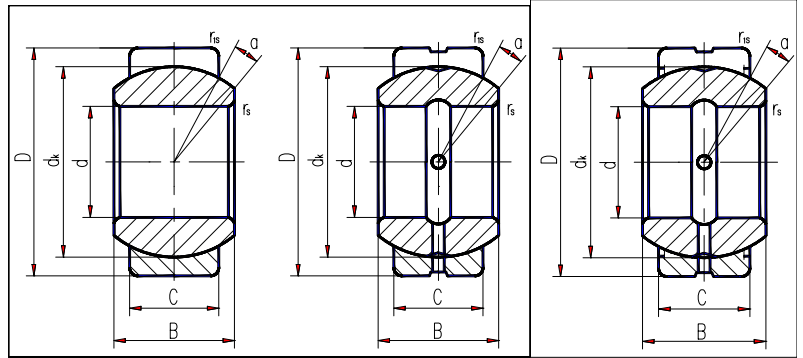


Radial Spherical Plain Bearings

Bearings & Components



Sliding contact surfaces: Steel / Steel



GE...E

GE...ES

GE...ES-2RS

Bearing number		Dimensions							Load ratings		Weight ≈kg	
		d	D	B	C	dk	r _s min	r _{is} min	α° ≈	Dynamic		Static
GE4E		4	12	5	3	8	0.3	0.3	16	2	10	0.003
GE5E		5	14	6	4	10	0.3	0.3	13	3.4	17	0.005
GE6E		6	14	6	4	10	0.3	0.3	13	3.4	17	0.004
GE8E		8	16	8	5	13	0.3	0.3	15	5.5	27	0.008
GE10E		10	19	9	6	16	0.3	0.3	12	8.1	40	0.011
GE12E		12	22	10	7	18	0.3	0.3	10	10	53	0.015
GE15ES	GE15ES-2RS	15	26	12	9	22	0.3	0.3	8	16	84	0.027
GE17ES	GE17ES-2RS	17	30	14	10	25	0.3	0.3	10	21	106	0.041
GE20ES	GE20ES-2RS	20	35	16	12	29	0.3	0.3	9	30	146	0.066
GE25ES	GE25ES-2RS	25	42	20	16	35.5	0.6	0.6	7	48	240	0.119
GE30ES	GE30ES-2RS	30	47	22	18	40.7	0.6	0.6	6	62	310	0.153
GE35ES	GE35ES-2RS	35	55	25	20	47	0.6	1	6	79	399	0.233
GE40ES	GE40ES-2RS	40	62	28	22	53	0.6	1	7	99	495	0.306
GE45ES	GE45ES-2RS	45	68	32	25	60	0.6	1	7	127	637	0.427
GE50ES	GE50ES-2RS	50	75	35	28	66	0.6	1	6	156	780	0.546
GE55ES	GE55ES-2RS	55	85	40	32	74	0.6	1	7	200	1000	0.939
GE60ES	GE60ES-2RS	60	90	44	36	80	1	1	6	245	1220	1.04
GE70ES	GE70ES-2RS	70	105	49	40	92	1	1	6	313	1560	1.55
GE80ES	GE80ES-2RS	80	120	55	45	105	1	1	6	400	2000	2.31
GE90ES	GE90ES-2RS	90	130	60	50	115	1	1	5	488	2440	2.75
GE100ES	GE100ES-2RS	100	150	70	55	130	1	1	7	607	3030	4.45
GE110ES	GE110ES-2RS	110	160	70	55	140	1	1	6	654	3270	4.82
GE120ES	GE120ES-2RS	120	180	85	70	160	1	1	6	950	4750	8.05
GE140ES	GE140ES-2RS	140	210	90	70	180	1	1	7	1070	5350	11.02
GE160ES	GE160ES-2RS	160	230	105	80	200	1	1	8	1360	6800	14.01
GE180ES	GE180ES-2RS	180	260	105	80	225	1.1	1.1	6	1530	7650	18.65
GE200ES	GE200ES-2RS	200	290	130	100	250	1.1	1.1	7	2120	10600	28.03
GE220ES	GE220ES-2RS	220	320	135	100	275	1.1	1.1	8	2320	11600	35.51
GE240ES	GE240ES-2RS	240	340	140	100	300	1.1	1.1	8	2550	12700	39.91
GE260ES	GE260ES-2RS	260	370	150	110	325	1.1	1.1	7	3030	15190	51.54
GE280ES	GE280ES-2RS	280	400	155	120	350	1.1	1.1	6	3570	17850	65.06
GE300ES	GE300ES-2RS	300	430	165	120	375	1.1	1.1	7	3800	19100	78.07

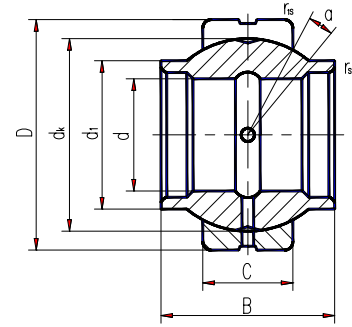


Bearings & Components

Radial Spherical Plain Bearings



Sliding contact surfaces Steel Steel



Bearing number	Dimensions mm									Load ratings kN		Weight ≈ kg
	d	D	B	C	d _l max	d _k	r _s min	r _{is} min	α° ≈	Dynamic	Static	
GEEW12ES*	12	22	12	7	15.5	18	0.3	0.3	4	10	53	0.022
GEEW15ES	15	26	15	9	18.5	22	0.3	0.3	5	16	84	0.031
GEEW16ES	16	28	16	9	20	23	0.3	0.3	4	17	85	0.035
GEEW17ES	17	30	17	10	21	25	0.3	0.3	7	21	106	0.044
GEEW20ES	20	35	20	12	25	29	0.3	0.3	4	30	146	0.071
GEEW25ES	25	42	25	16	30.5	35.5	0.6	0.6	4	48	240	0.131
GEEW30ES	30	47	30	18	34	40.7	0.6	0.6	4	62	310	0.168
GEEW32ES	32	52	32	18	37	44	0.6	1	4	65	328	0.182
GEEW35ES	35	55	35	20	40	47	0.6	1	4	79	399	0.253
GEEW40ES	40	62	40	22	46	53	0.6	1	4	99	495	0.338
GEEW45ES	45	68	45	25	52	60	0.6	1	4	127	637	0.481
GEEW50ES	50	75	50	28	57	66	0.6	1	4	156	780	0.558
GEEW60ES	60	90	60	36	68	80	1	1	4	245	1220	1.15
GEEW63ES	63	95	63	36	71.5	83	1	1	4	253	1260	1.25
GEEW70ES	70	105	70	40	78	92	1	1	4	313	1560	1.71
GEEW80ES	80	120	80	45	91	105	1	1	4	400	2000	2.39
GEEW90ES	90	130	90	50	99	115	1	1	4	488	2440	3.21
GEEW100ES	100	150	100	55	113	130	1	1	4	607	3030	4.79
GEEW110ES	110	160	110	55	124	140	1	1	4	654	3270	5.78
GEEW125ES	125	180	125	70	138	160	1	1	4	950	4750	8.49
GEEW160ES	160	230	160	80	177	200	1	1	4	1360	6800	16.5
GEEW200ES	200	290	200	100	221	250	1.1	1.1	4	2120	10600	32.1
GEEW250ES	250	400	250	120	317	350	1.1	1.1	4	3750	17800	99.1
GEEW320ES	320	520	320	160	405	450	1.1	1.1	4	6200	30500	225

* A lubrication groove and holes in the outer ring only

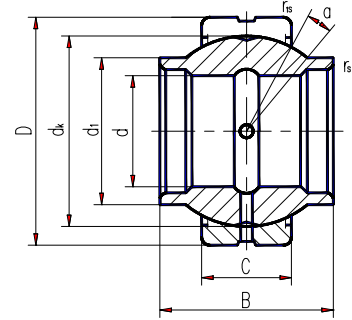


Bearings & Components

Radial Spherical Plain Bearings



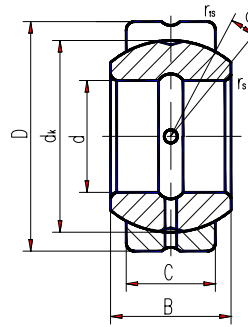
Sliding contact surfaces Steel Steel



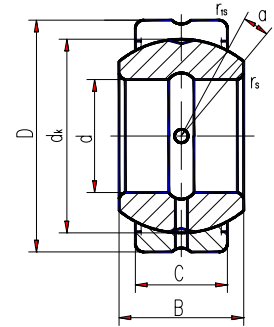
Bearing number	Dimensions									Load ratings kN		Weight \approx kg
	d	D	B	C	d _l max	d _k	r _s min	r _{1s} min	α° \approx	Dynamic	Static	
GEEM20ES-2RS	20	35	24	12	24	29	0.3	0.3	6	30	146	0.073
GEEM25ES-2RS	25	42	29	16	29	35.5	0.3	0.6	4	48	240	0.13
GEEM30ES-2RS	30	47	30	18	34	40.7	0.3	0.6	4	62	310	0.17
GEEM35ES-2RS	35	55	35	20	40	47	0.6	1	4	79	399	0.25
GEEM40ES-2RS	40	62	38	22	45	53	0.6	1	4	99	495	0.35
GEEM45ES-2RS	45	68	40	25	52	60	0.6	1	4	127	637	0.49
GEEM50ES-2RS	50	75	43	28	57	66	0.6	1	4	156	780	0.6
GEEM60ES-2RS	60	90	54	36	68	80	0.6	1	3	245	1220	1.15
GEEM70ES-2RS	70	105	65	40	78	92	0.6	1	4	313	1560	1.65
GEEM80ES-2RS	80	120	74	45	90	105	0.6	1	4	400	2000	2.5



Sliding contact surfaces: Steel / Steel



GEZ...ES



GEZ...ES-2RS

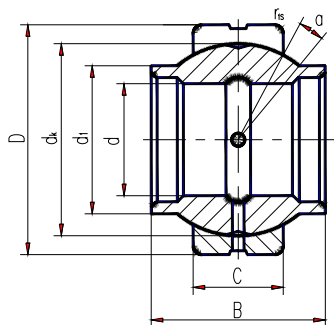
Bearing number		Dimensions								Load ratings kN		Weight ≈ kg
		d	D	B	C	dk	r_s min	r_{1s} min	α° ≈	Dynamic	Static	
GEZ95ES	GEZ95ES-2RS	95.250	149.225	83.337	71.425	137	1	1	6	780	2360	5.8
		3.75	5.875	3.281	2.812	5.393	0.04	0.04				
GEZ101ES	GEZ101ES-2RS	101.600	158.750	88.900	76.200	146	1	1	6	900	2650	7
		4	6.25	3.5	3	5.748	0.04	0.04				
GEZ107ES	GEZ107ES-2RS	107.950	168.275	94.463	80.950	155	1	1	6	1000	3000	8.41
		4.25	6.625	3.719	3.187	6.102	0.04	0.04				
GEZ114ES	GEZ114ES-2RS	114.300	177.800	100.013	85.725	164.5	1	1	6	1120	3400	9.8
		4.5	7	3.937	3.375	6.476	0.04	0.04				
GEZ120ES	GEZ120ES-2RS	120.650	187.325	105.562	90.475	173.5	1	1	6	1250	3750	11.5
		4.75	7.375	4.156	3.562	6.83	0.04	0.04				
GEZ127ES	GEZ127ES-2RS	127.000	196.850	111.125	95.250	183	1	1	6	1400	4150	13.5
		5	7.75	4.375	3.75	7.204	0.04	0.04				
GEZ152ES	GEZ152ES-2RS	152.400	222.250	120.65	104.775	207	1	1	5	1730	5200	17.5
		6	8.75	4.75	4.125	8.15	0.04	0.04				



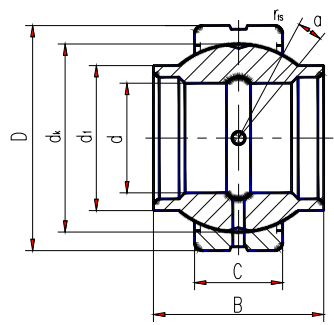
Radial Spherical Plain Bearings



Sliding contact surfaces Steel Steel



GEWZ ES

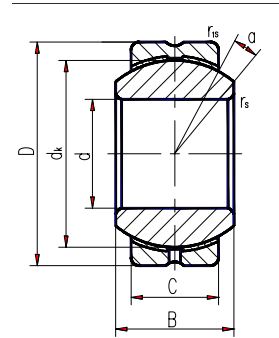


GEWZ ES 2RS

Bearing number	Dimensions										Load ratings kN		Weight ≈kg
	d	D	B	C	di** max	dk	rs min	ris min	α° ≈	Dynamic	Static		
GEWZ12ES	12.700	22.225	19.050	9.525	15.875	18	0.15	0.6	5	13	41	0.024	
	0.5	0.875	0.75	0.375	0.625	0.719	0.006	0.024					
GEWZ15ES	15.875	26.988	23.800	11.913	19.812	23	0.15	0.6	5	22	65	0.038	
	0.625	1.0625	0.937	0.469	0.78	0.899	0.006	0.024					
GEWZ19ES	19.050	31.750	28.575	14.275	23.368	27.5	0.3	0.6	5	31	95	0.064	
	0.75	1.25	1.125	0.562	0.92	1.08	0.012	0.024					
GEWZ22ES	22.225	36.513	33.325	16.662	27.178	32	0.3	0.6	5	42	127	0.098	
	0.875	1.4375	1.312	0.656	1.07	1.258	0.012	0.024					
GEWZ25ES	25.400	41.275	38.100	19.050	30.988	36.5	0.3	0.6	5	56	166	0.142	
	1	1.625	1.5	0.75	1.22	1.437	0.012	0.024					
GEWZ31ES	31.750	50.800	47.625	23.800	38.735	45.5	0.6	0.6	5	86	260	0.271	
	1.25	2	1.875	0.937	1.525	1.795	0.024	0.024					
GEWZ34ES	34.925	55.563	52.375	26.187	42.418	49	0.6	1	5	102	310	0.373	
	1.375	2.1875	2.062	1.031	1.67	1.937	0.024	0.04					
GEWZ38ES	38.100	61.913	57.150	28.575	46.99	54.7	0.6	1	5	125	375	0.494	
	1.5	2.4375	2.25	1.125	1.85	2.155	0.024	0.04					
GEWZ44ES	44.450	71.438	66.675	33.325	54.991	63.9	0.6	1	5	170	510	0.762	
	1.75	2.8125	2.625	1.312	2.165	2.515	0.024	0.04					
GEWZ50ES	50.800	80.963	76.200	38.100	62.484	73	0.6	1	5	224	670	1.11	
	2	3.1875	3	1.5	2.46	2.875	0.024	0.04					
GEWZ57ES	57.150	90.488	85.725	42.850	70.104	82	0.6	1	5	280	850	1.57	
	2.25	3.5625	3.375	1.687	2.76	3.235	0.024	0.04					
GEWZ63ES	63.500	100.013	95.250	47.625	77.724	92	1	1	5	355	1060	2.15	
	2.5	3.9375	3.75	1.875	3.06	3.59	0.04	0.04					
GEWZ69ES	69.850	111.125	104.775	52.375	85.852	100	1	1	5	415	1250	2.9	
	2.75	4.375	4.125	2.062	3.38	3.95	0.04	0.04					
GEWZ76ES	76.200	120.650	114.300	57.150	93.345	109.5	1	1	5	500	1500	3.59	
	3	4.75	4.5	2.25	3.675	4.312	0.04	0.04					
GEWZ82ES	82.550	130.175	123.825	61.900	101.219	119	1	1	5	585	1760	4.69	
	3.25	5.125	4.875	2.437	3.985	4.675	0.04	0.04					
GEWZ88ES	88.900	139.700	133.350	66.675	109.22	128	1	1	5	680	2040	5.86	
	3.5	5.5	5.25	2.625	4.3	5.04	0.04	0.04					



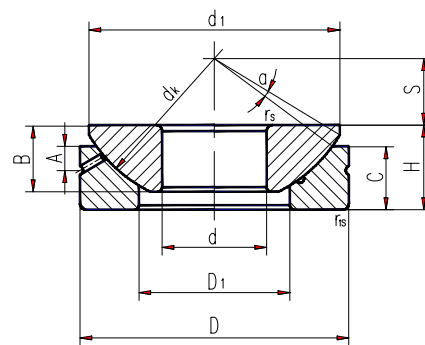
Sliding contact surfaces Steel Bronze



Bearing number	Dimensions mm								Load ratings kN		Weight ≈kg
	d	D	B	C	dk	rs min	r1s min	α° ≈	Dynamic	Static	
GEBK5S	5	16	8	6	11.112	0.3	0.3	13	3.3	7.8	0.009
GEBK6S	6	18	9	6.75	12.7	0.3	0.3	13	4.3	9.8	0.013
GEBK8S	8	22	12	9	15.88	0.3	0.3	14	6.8	16	0.024
GEBK10S	10	26	14	10.5	19.05	0.3	0.6	14	10	23	0.039
GEBK12S	12	30	16	12	22.23	0.3	0.6	13	13	31	0.058
GEBK14S	14	34	19	13.5	25.4	0.3	0.6	16	17	40	0.084
GEBK16S	16	38	21	15	28.58	0.3	0.6	15	21	50	0.111
GEBK18S	18	42	23	16.5	31.75	0.3	0.6	15	26	61	0.16
GEBK20S	20	46	25	18	34.93	0.3	0.6	15	31	73	0.21
GEBK22S	22	50	28	20	38.1	0.3	0.6	15	38	88	0.26
GEBK25S	25	56	31	22	42.86	0.6	0.6	15	47	110	0.39
GEBK28S	28	62	35	25	47.63	0.6	0.6	15	59	138	0.53
GEBK30S	30	66	37	25	50.8	0.6	0.6	17	63	148	0.61

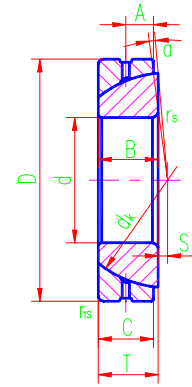
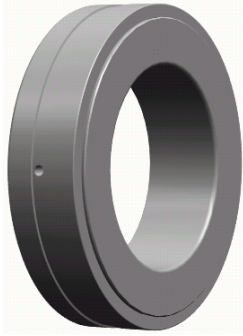


Thrust Spherical Plain Bearings



Sliding contact surfaces: Steel / Steel

Bearing number	Dimensions mm												Load ratings kN		Weight ≈kg
	d	D	B	C	H	dk	S	d1 max	D1 min	A	rs, r1s min	α° ≈	Dynamic	Static	
GX10S	10	30	7.5	7	9.5	32	7	27.5	15.5	3	0.6	9	27	136	0.036
GX12S	12	35	9.5	9.3	13	38	8	32	18	4	0.6	8	37	188	0.072
GX15S	15	42	11	10.8	15	46	10	39	22.5	5	0.6	8	53	267	0.108
GX17S	17	47	11.8	11.2	16	52	11	43.5	27	5	0.6	10	61	311	0.137
GX20S	20	55	14.5	13.8	20	60	12.5	50	31	6	1	9	84	425	0.246
GX25S	25	62	16.5	16.7	22.5	68	14	58.5	34.5	6	1	7	134	672	0.415
GX30S	30	75	19	19	26	82	17.5	70	42	8	1	7	182	909	0.614
GX35S	35	90	22	20.7	28	98	22	84	50.5	8	1	8	266	1330	0.973
GX40S	40	105	27	21.5	32	114	24.5	97	59	9	1	9	357	1810	1.59
GX45S	45	120	31	25.5	36.5	128	27.5	110	67	11	1	9	486	2470	2.24
GX50S	50	130	33	30.5	42.5	139	30	120	70	10	1	7	554	2810	3.14
GX60S	60	150	37	34	45	160	35	140	84	12.5	1	8	748	3820	4.63
GX70S	70	160	42	36.5	50	176	35	153	94.5	13.5	1	8	902	4610	5.37
GX80S	80	180	43.5	38	50	197	42.5	172	107.5	14.5	1	8	1110	5700	6.91
GX100S	100	210	51	46	59	222	45	198	127	15	1.1	8	1300	6470	10.9
GX120S	120	230	53.5	50	64	250	52.5	220	145	16.5	1.1	6	1530	7580	13.9
GX140S	140	260	61	54	72	274	52.5	243	177	23	1.5	6	1820	9040	18.1
GX160S	160	290	66	58	77	313	65	271	200	23	1.5	7	2100	10440	23.2
GX180S	180	320	74	62	86	340	67.5	299	225	26	1.5	8	2430	12070	30.9
GX200S	200	340	80	66	87	365	70	320	247	27	1.5	8	3070	15280	34.2



Sliding contact surfaces Steel Steel

Bearing number	Dimensions mm										Load ratings kN		Weight ≈kg
	d	D	B	C	T	d _k	S	A	r _s , r _{1s} min	α° ≈	Dynamic	Static	
GAC25S	25	47	15	14	15	42	0.6	7.5	1	3.5	50	250	0.148
GAC28S	28	52	16	15	16	47	1	8	1	3	60	300	0.186
GAC30S	30	55	17	15	17	49.5	1.3	8.5	1	3	63	315	0.208
GAC32S	32	58	17	16	17	52	2	8.5	1	3	71	354	0.241
GAC35S	35	62	18	16	18	55.5	2.1	9	1	3	78	390	0.268
GAC40S	40	68	19	17	19	62	2.8	9.5	1	3	92	463	0.327
GAC45S	45	75	20	18	20	68.5	3.5	10	1	3	108	540	0.416
GAC50S	50	80	20	19	20	74	4.3	10	1	3	123	618	0.455
GAC55S	55	90	23	20	23	82	5	11.5	1.1	3	144	721	0.645
GAC60S	60	95	23	21	23	88.5	5.7	11.5	1.1	3	163	817	0.714
GAC65S	65	100	23	22	23	93.5	6.5	11.5	1.1	2.5	180	905	0.759
GAC70S	70	110	25	23	25	102	7.2	12.5	1.1	2.5	206	1030	1.04
GAC75S	75	115	25	24	25	107	7.9	12.5	1.1	2.5	220	1129	1.12
GAC80S	80	125	29	25.5	29	115	8.6	14.5	1.1	2.5	258	1290	1.54
GAC85S	85	130	29	26.5	29	122	9.4	14.5	1.1	2.5	284	1422	1.61
GAC90S	90	140	32	28	32	128.5	10.1	16	1.5	2.5	316	1580	2.09
GAC95S	95	145	32	29.5	32	135	10.8	16	1.5	2.5	350	1750	2.22
GAC100S	100	150	32	31	32	141	11.6	16	1.5	2	384	1923	2.34
GAC105S	105	160	35	32.5	35	148	12.3	17.5	2	2	423	2116	2.93
GAC110S	110	170	38	34	38	155	13	19	2	2	463	2318	3.68
GAC120S	120	180	38	37	38	168	14.5	19	2	2	547	2735	3.97
GAC130S	130	200	45	43	45	188	18	19	2.5	1	710	3550	5.92
GAC140S	140	210	45	43	45	198	19	19	2.5	1	740	3740	6.33
GAC150S	150	225	48	46	48	211	20	20.5	3	1	850	4270	8.01
GAC160S	160	240	51	49	51	225	20	22	3	1	970	4850	9.42
GAC170S	170	260	57	55	57	246	21	27	3	1	1190	5950	12.3
GAC180S	180	280	64	61	64	260	21	28	3	1	1395	6970	17.4
GAC190S	190	290	64	62	64	275	26	30	3	1.5	1500	7500	18.2
GAC200S	200	310	70	66	70	290	26	30	3	1	1680	8420	22.5