

INDUSTRIAL ENCLOSURES

TEFL CONTROL ENCLOSURES



Data pocket (optional)

FEATURES:

- Strong and stable welded frame
- Stable structure, exquisite design, spacious inner mounting space, commonly used accessories
- Slotted framework allows attachment of mounting rails or mounting plate (integrated hole size: 1" (25 mm))
- Side panels and rear panels are fixed by screws
- Adjustable mounting panel
- Three-sectioned bottom panel is fitted with openings for easy cables insertion
- Maximum door opening angle is 130 degrees, the direction from which the door opens can be easily changed
- All-round polyurethane gasket between door and frame provides good sealing performance
- The cabinet is normally placed on plinth (Plinth is available on request)
- M8 grounding kit mounted on cabinet's frame, door and mounting panel
- Three-point bolted luxury lock

TECHNICAL DATA

Materials:

Cold-rolled steel

Thickness:

Mounting panel – 0.1" (2.5 mm),

Front door – 0.08" (2.0 mm),

Frame – 0.06" (1.5mm),

Other elements – 0.05" (1.2mm)

Protection Degree:

IP55

Surface finishing:

Body, frame & doors: degreasing, pickling, phosphoric, powder coated, static powdered with textured stove enamel RAL7032

Mounting panel: degreasing, pickling, phosphoric, powder coated, static powdered with flat coating RAL2000

Specifications:

The cabinet meets IEC60529, EN60529/10.91 and GB4208-93 standards

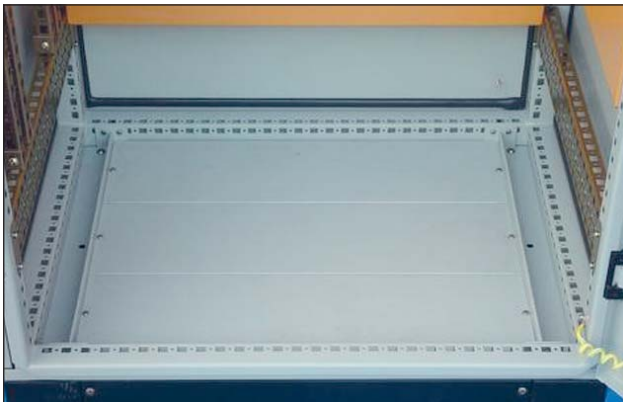
Application:

Cabinets are designed for both outdoor and indoor applications

Available for installation of various industrial and controlling equipment



Various horizontal mounting angles



3-sectioned bottom panel

DELIVERY SET

Cabinet in standard configuration:

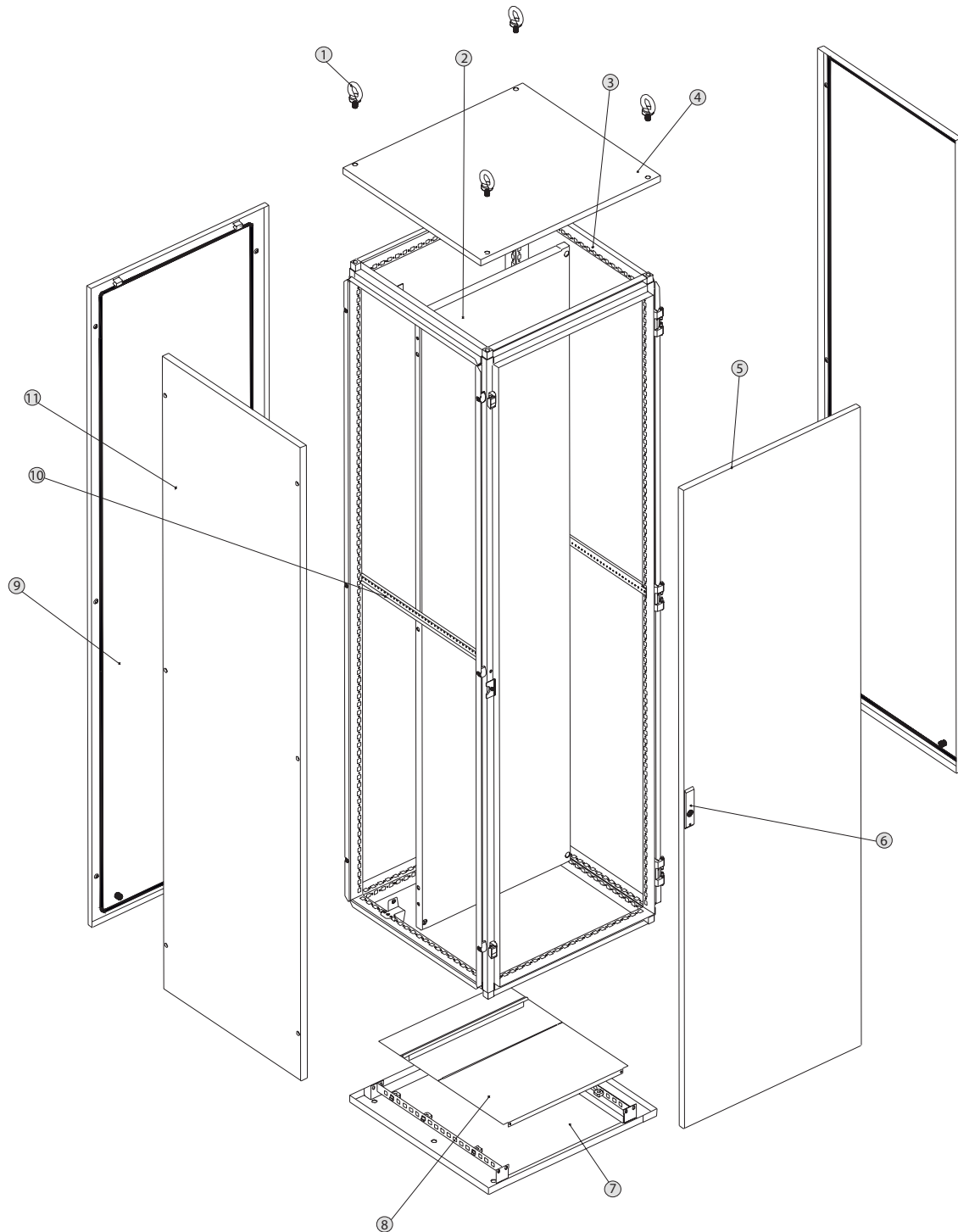
- Steel frame
- Single-wing front door¹
- Mounting panel
- 4 Eye bolts
- Top cover
- Lock with 1 key
- Bottom frame
- 3-section bottom panel
- Rear panel
- 2 mounting angles

Note: 1) Enclosures over 39.4" (1000 mm) wide are equipped with double-section front door.



Lock

CONSTRUCTION

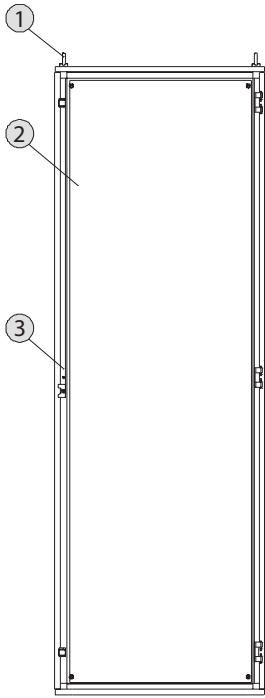
**Main Structure**

1. Eye bolts
2. Mounting panel
3. Frame
4. Top cover

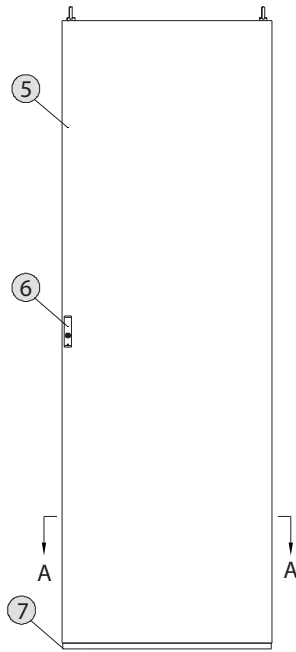
5. Front door
6. Lock
7. Bottom frame
8. 3-sectioned bottom panel

9. Rear panel
10. Mounting angle
11. Side panel (optional)

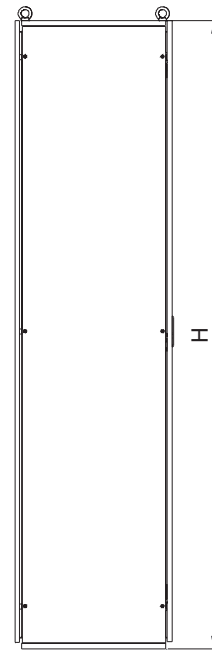
Main Dimensions



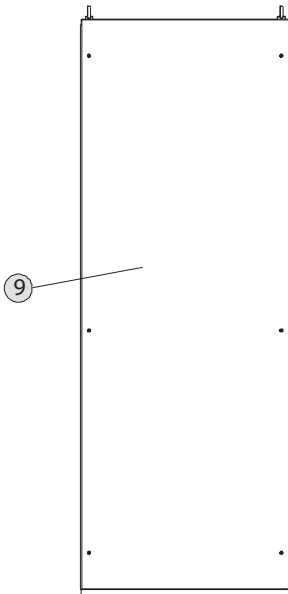
Front view (without front door)



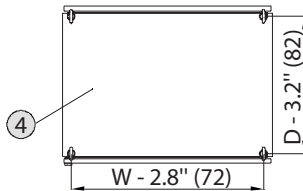
Front view



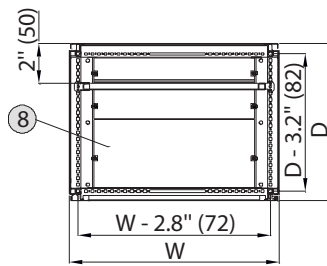
Side view



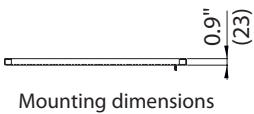
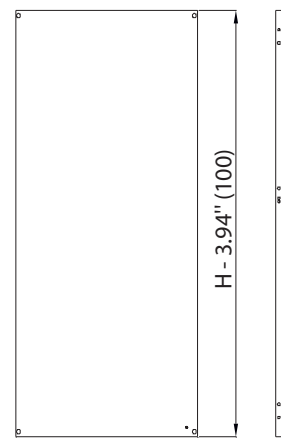
Back view



Top view



A-A section



Mounting dimensions

- 1. Eye bolt
- 2. Mounting panel
- 3. Frame

- 4. Top cover
- 5. Front door
- 6. Lock

- 7. Bottom frame
- 8. 3-sectioned bottom panel
- 9. Rear panel

REFERENCE CHART

Catalog number	Width W, in (mm)	Depth D, in (mm)	Height H, in (mm)	Packing Dimensions W x D x H, in	Packing Volume, ft ³ (m ³)
TEFL-1864	23.6 (600)	15.7 (400)	70.9 (1800)	26.4x18.5x72.1	20.3 (0.5763)
TEFL-2064			78.8 (2000)	26.4x18.5x80.0	22.6 (0.6392)
TEFL-2264			86.7 (2200)	26.4x18.5x87.8	24.8 (0.7022)
TEFL-1884	31.5 (800)	15.7 (400)	70.9 (1800)	34.3x18.5x72.1	26.4 (0.7483)
TEFL-2084			78.8 (2000)	34.3x18.5x80.0	29.3 (0.8301)
TEFL-2284			86.7 (2200)	34.3x18.5x87.8	32.2 (0.9118)
TEFL-1814	39.4 (1000)	15.7 (400)	70.9 (1800)	42.1x18.5x72.1	32.5 (0.9203)
TEFL-2014			78.8 (2000)	42.1x18.5x80.0	36.0 (1.0209)
TEFL-2214			86.7 (2200)	42.1x18.5x87.8	39.6 (1.1215)
TEFL-1824	47.2 (1200)	15.7 (400)	70.9 (1800)	50.0x18.5x72.1	38.6 (1.0923)
TEFL-2024			78.8 (2000)	50.0x18.5x80.0	42.8 (1.2117)
TEFL-2224			86.7 (2200)	50.0x18.5x87.8	47.0 (1.3311)
TEFL-1865	23.6 (600)	19.7 (500)	70.9 (1800)	26.4x22.4x72.1	24.7 (0.6989)
TEFL-2065			78.8 (2000)	26.4x22.4x80.0	27.4 (0.7753)
TEFL-2265			86.7 (2200)	26.4x22.4x87.8	30.1 (0.8516)
TEFL-1885	31.5 (800)	19.7 (500)	70.9 (1800)	34.3x22.4x72.1	32.0 (0.9075)
TEFL-2085			78.8 (2000)	34.3x22.4x80.0	35.5 (1.0067)
TEFL-2285			86.7 (2200)	34.3x22.4x87.8	39.0 (1.1059)
TEFL-1815	39.4 (1000)	19.7 (500)	70.9 (1800)	42.1x22.4x72.1	39.4 (1.1161)
TEFL-2015			78.8 (2000)	42.1x22.4x80.0	43.7 (1.2381)
TEFL-2215			86.7 (2200)	42.1x22.4x87.8	48.0 (1.3601)
TEFL-1825	47.2 (1200)	19.7 (500)	70.9 (1800)	50.0x22.4x72.1	46.8 (1.3247)
TEFL-2025			78.8 (2000)	50.0x22.4x80.0	51.9 (1.4695)
TEFL-2225			86.7 (2200)	50.0x22.4x87.8	57.0 (1.6143)
TEFL-1866	23.6 (600)	23.6 (600)	70.9 (1800)	26.4x26.4x72.1	29.0 (0.8215)
TEFL-2066			78.8 (2000)	26.4x26.4x80.0	32.2 (0.9113)
TEFL-2266			86.7 (2200)	26.4x26.4x87.8	35.3 (1.0010)
TEFL-1886	31.5 (800)	23.6 (600)	70.9 (1800)	34.3x26.4x72.1	37.7 (1.0667)
TEFL-2086			78.8 (2000)	34.3x26.4x80.0	41.8 (1.1833)
TEFL-2286			86.7 (2200)	34.3x26.4x87.8	45.9 (1.2999)
TEFL-1816	39.4 (1000)	23.6 (600)	70.9 (1800)	42.1x26.4x72.1	46.3 (1.3119)
TEFL-2016			78.8 (2000)	42.1x26.4x80.0	51.4 (1.4553)
TEFL-2216			86.7 (2200)	42.1x26.4x87.8	56.4 (1.5987)
TEFL-1826	47.2 (1200)	23.6 (600)	70.9 (1800)	50.0x26.4x72.1	55.0 (1.5571)
TEFL-2026			78.8 (2000)	50.0x26.4x80.0	61.0 (1.7273)
TEFL-2226			86.7 (2200)	50.0x26.4x87.8	67.0 (1.838.4)
TEFL-1868	23.6 (600)	31.5 (800)	70.9 (1800)	26.4x34.3x72.1	37.7 (1.0667)
TEFL-2068			78.8 (2000)	26.4x34.3x80.0	41.8 (1.1833)
TEFL-2268			86.7 (2200)	26.4x34.3x87.8	45.9 (1.2999)
TEFL-1888	31.5 (800)	31.5 (800)	70.9 (1800)	34.3x34.3x72.1	49.0 (1.3851)
TEFL-2088			78.8 (2000)	34.3x34.3x80.0	54.2 (1.5365)
TEFL-2288			86.7 (2200)	34.3x34.3x87.8	59.6 (1.6879)
TEFL-1818	39.4 (1000)	31.5 (800)	70.9 (1800)	42.1x34.3x72.1	60.1 (1.7035)
TEFL-2018			78.8 (2000)	42.1x34.3x80.0	66.7 (1.8897)
TEFL-2218			86.7 (2200)	42.1x34.3x87.8	73.3 (2.0759)
TEFL-1828	47.2 (1200)	31.5 (800)	70.9 (1800)	50.0x34.3x72.1	71.4 (2.08.7)
TEFL-2028			78.8 (2000)	50.0x34.3x80.0	79.2 (2.2429)
TEFL-2228			86.7 (2200)	50.0x34.3x87.8	87.0 (2.4639)

TECL COMPACT ENCLOSURES



FEATURES:

- Cold rolled steel welded frame with strong structure
- Multi-folded enclosure aperture protects against dust and moisture
- All-round polyurethane gasket between the door and the body
- The wide-opening door allows for maximum space utilization
- Molded door border with exquisite design and intense strength
- Maximum door opening angle is 110° with standard hinge and 180° with special hinge
- The direction from which the door opens can be easily changed
- Adjustable mounting panel
- M8 earth pole is mounted on the body, door and mounting panel
- Mounting hole is drilled at the back of the enclosure, no need for extra holes

DELIVERY SET

Cabinet in standard configuration:

- Steel body
- Steel door
- Mounting panel
- Cable entry panel
- 2 locks
- 4 brackets
- 4 mounting hole covers
- Fixing accessories



TECHNICAL DATA

Materials:

Cold-rolled steel

Thickness:

Mounting panel – 0.1" (2.5 mm),
Other elements – 0.06" (1.5 mm)

Protection Degree:

IP66 (width and height less than 15.7" (400 mm))
IP55 (width and height over 15.7" (400 mm))

Surface finishing:

Body and doors: degreasing, pickling, phosphoric, electrophoretic dip-coated, printed, static powdered with textured stove enamel RAL7032

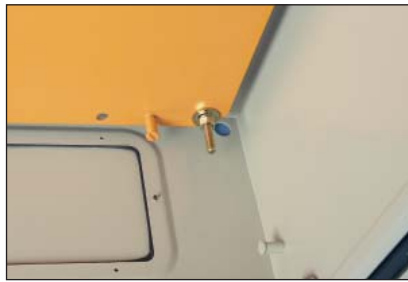
Mounting panel degreasing, pickling, phosphoric, electrophoretic dip-coated, printed, static powdered with flat coating RAL2000

Specifications:

The cabinet meets IEC60529, EN60529/10.91, GB4208-93 standards

Application:

Cabinets are designed for indoor applications
Available for installation of various electrical equipment which requires protection from unauthorized access and environmental impact



Adjustable mounting panel



Powdered surface with textured stove enamel



Molded door border

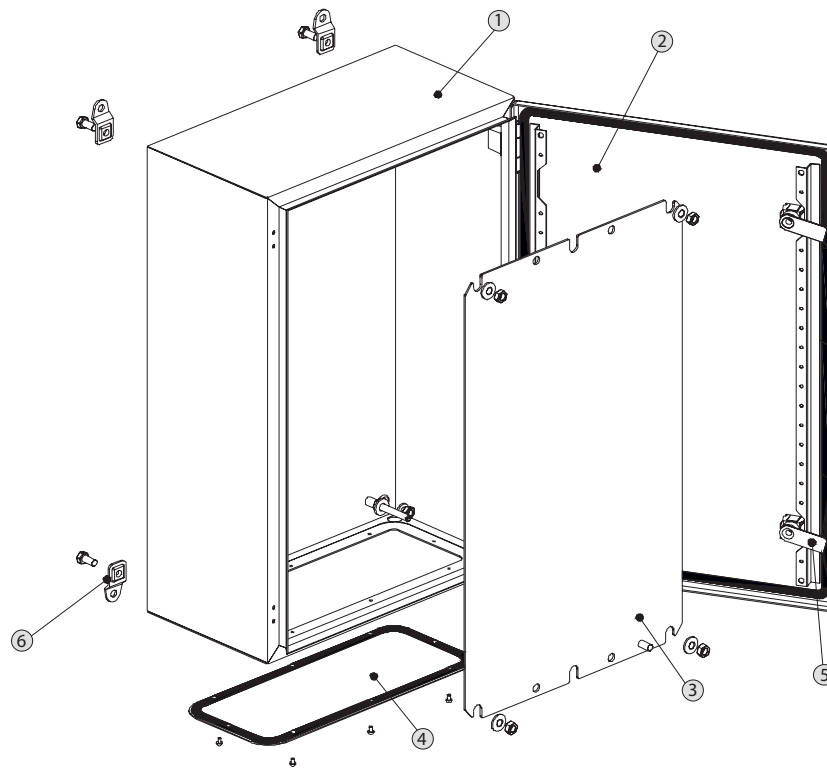


Earth pole



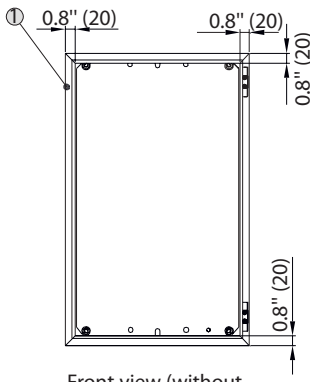
View of the bottom plate

CONSTRUCTION

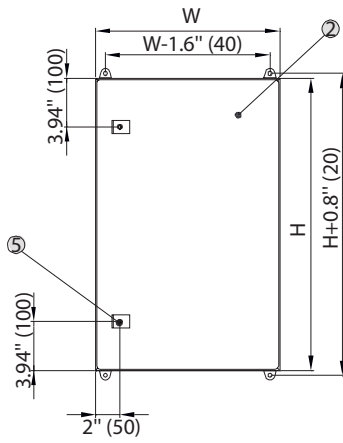
**Main Structure**

- | | |
|-------------------|----------------------|
| 1. Body | 4. Cable entry panel |
| 2. Door | 5. Lock |
| 3. Mounting panel | 6. Bracket |

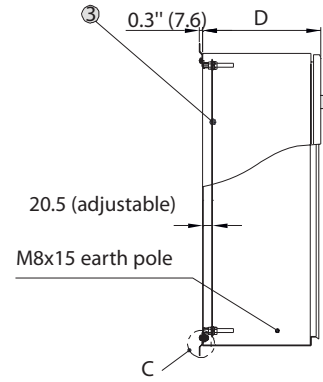
Main Dimensions



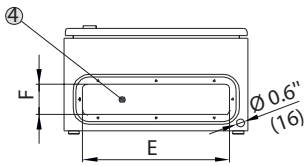
Front view (without front door)



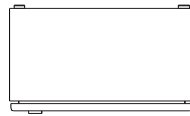
Front view



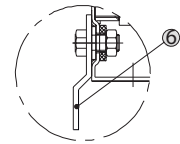
Side view



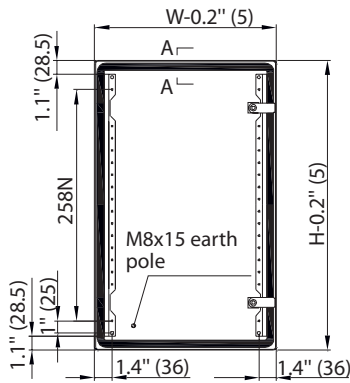
Top view (without cover)



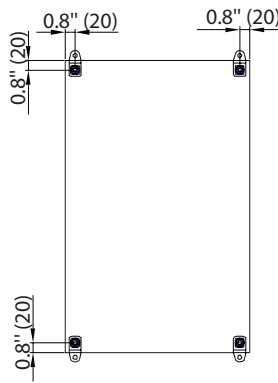
Top view



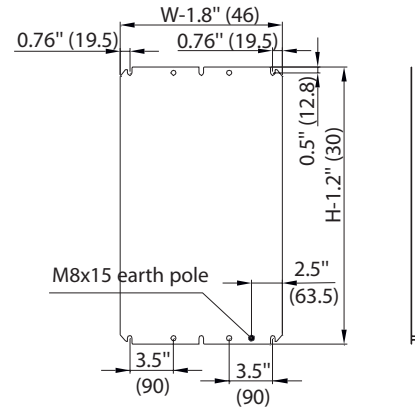
Enlarged part C



Inside of the door



Back view



Mounting panel

- 1. Body
- 2. Door
- 3. Mounting panel

- 4. Cable entry panel
- 5. Lock
- 6. Bracket

REFERENCE CHART

Catalog number	Width W, in (mm)	Depth D, in (mm)	Height H, in (mm)	Hole Size (ExF), in (mm)	Packing Dimensions WxDxH, in	Packing Volume, ft ³ (m ³)
TECL-1032	7.9 (200)	4.7 (120)	11.8 (300)	5.2x1.7 (133x43)	9.1x5.9x13.0	0.4 (0.0114)
TECL-1035	7.9 (200)	6.1 (155)	11.8 (300)	5.2x1.7 (133x43)	9.1x7.3x13.0	0.5 (0.0140)
TECL-1033	11.8 (300)	8.3 (210)	11.8 (300)	9.2x1.8 (233x45)	13.0x9.5x12.7	0.9 (0.0261)
TECL-1034	11.8 (300)	8.3 (210)	15.7 (400)	11.9x2.5 (303x63)	13.0x9.5x16.9	1.2 (0.0341)
TECL-1030	15.0 (380)	6.1 (155)	11.8 (300)	11.9x2.5 (303x63)	16.1x7.3x13.0	0.9 (0.0250)
TECL-1031	15.0 (380)	8.3 (210)	11.8 (300)	11.9x2.5 (303x63)	16.1x9.5x13.0	1.1 (0.0325)
TECL-1380	15.0 (380)	8.3 (210)	15.0 (380)	11.9x2.5 (303x63)	16.1x9.5x16.1	1.4 (0.0403)
TECL-1038	15.0 (380)	8.3 (210)	23.6 (600)	11.9x2.5 (303x63)	16.1x9.5x24.8	2.2 (0.0620)
TECL-1338	15.0 (380)	13.7 (350)	23.6 (600)	11.9x2.5 (303x63)	16.1x15.0x24.8	2.6 (0.0723)
TECL-1045	15.7 (400)	8.3 (210)	19.7 (500)	11.9x4.5 (303x113)	16.1x9.5x20.9	1.9 (0.0547)
TECL-1046	17.7 (450)	8.3 (210)	25.2 (640)	11.9x4.5 (303x113)	18.9x9.5x26.4	2.7 (0.0772)
TECL-1050	19.7 (500)	8.3 (210)	19.7 (500)	11.9x4.5 (303x113)	20.9x9.5x20.9	2.4 (0.0674)
TECL-1056	19.7 (500)	8.3 (210)	23.6 (600)	11.9x4.5 (303x113)	20.1x9.5x24.8	2.8 (0.0801)
TECL-1057	19.7 (500)	9.8 (250)	27.6 (700)	11.9x4.5 (303x113)	20.9x11.0x28.7	3.8 (0.1083)
TECL-1350	19.7 (500)	11.8 (300)	19.7 (500)	11.9x4.5 (303x113)	20.9x13.0x20.9	2.2 (0.0620)
TECL-1039	23.6 (600)	8.3 (210)	15.0 (380)	11.9x4.5 (303x113)	24.8x9.5x16.1	2.2 (0.0620)
TECL-1060	23.6 (600)	8.3 (210)	23.6 (600)	11.9x4.5 (303x113)	24.0x9.5x24.8	3.4 (0.0953)
TECL-1067	23.6 (600)	8.3 (210)	25.2 (640)	11.9x4.5 (303x113)	24.8x9.5x26.4	3.6 (0.1013)
TECL-1076	23.6 (600)	8.3 (210)	29.9 (760)	11.9x4.5 (303x113)	24.8x9.5x31.1	6.7 (0.1892)
TECL-1058	23.6 (600)	9.8 (250)	31.5 (800)	19.7x4.5 (500x113)	24.8x11.0x32.7	5.2 (0.1464)
TECL-1090	23.6 (600)	9.8 (250)	39.4 (1000)	19.7x4.5 (500x113)	24.8x11.0x44.6	6.4 (0.1817)
TECL-1260	23.6 (600)	11.8 (300)	47.2 (4.70)	19.7x4.5 (500x113)	24.8x13.0x48.4	9.0 (0.2557)
TECL-1339	23.6 (600)	13.7 (350)	15.0 (380)	19.7x4.5 (500x113)	24.8x15.0x16.1	3.5 (0.0982)
TECL-1360	23.6 (600)	13.7 (350)	23.6 (600)	19.7x4.5 (500x113)	24.8x15.0x24.8	5.3 (0.1508)
TECL-1376	23.6 (600)	13.7 (350)	29.9 (760)	19.7x4.5 (500x113)	24.8x15.0x31.1	6.7 (0.1891)
TECL-1368	23.6 (600)	13.7 (350)	31.5 (800)	19.7x4.5 (500x113)	24.8x15.0x32.7	7.0 (0.1987)
TECL-1077	30.0 (760)	8.3 (210)	29.9 (760)	19.7x4.5 (500x113)	31.1x9.5x31.1	5.3 (0.1498)
TECL-1180	31.5 (800)	11.8 (300)	39.4 (1000)	19.7x4.5 (500x113)	32.7x13.0x44.6	10.0 (0.2821)

REFERENCE CHART 2 (STAINLESS STEEL ENCLOSURES)

Catalog number	Width W, in (mm)	Depth D, in (mm)	Height H, in (mm)	Hole Size (ExF), in (mm)	Packing Dimensions WxDxH, in	Packing Volume, ft ³ (m ³)
TECL-1002	7.9 (200)	6.1 (155)	11.7 (300)	5.2x1.7 (133x43)	9.1x7.3x13.0	0.5 (0.0140)
TECL-1004	15.0 (380)	17.7 (455)	11.7 (300)	11.9x2.5 (303x63)	16.1x7.3x13.0	1.9 (0.0250)
TECL-1006	15.0 (380)	8.2 (210)	15.0 (380)	11.9x2.5 (303x63)	16.1x9.5x16.1	1.4 (0.0403)
TECL-1010	23.6 (600)	8.2 (210)	23.6 (600)	19.7x4.5 (500x113)	24.8x9.5x24.8	3.4 (0.0953)
TECL-1012	23.6 (600)	8.2 (210)	30.0 (760)	19.7x4.5 (500x113)	24.8x9.5x31.1	4.2 (0.1195)
TECL-1016	31.5 (800)	11.7 (300)	39.4 (1000)	19.7x4.5 (500x113)	32.7x13.0x40.6	10.0 (0.2821)