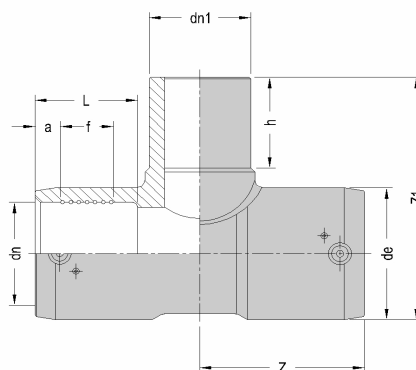


PRODUCT DETAILS



DIMENSIONS AND WEIGHT



ITEM	<b>2121160025</b>
dn [mm]	25
dn1 [mm]	
SDR	11
PN	16
MATERIAL	PE100
TRADEMARK	EURO
MANUFACTURING TYPE	INJECTION MOULDED
USE	WATER-GAS
QUANTITY PER BOX	20

NOTE:

dn	[mm]	25	Z	[mm]	53
dn1	[mm]	25	Z1	[mm]	111
de	[mm]	39			
L	[mm]	33			
f	[mm]	15			
a	[mm]	11			
h	[mm]	60	WEIGHT	[g]	95

Tolerance: +/- 5% excluding dn dn1

STANDARDS AND APPROVALS

- EN 12201
- EN 1555
- ISO 15494
- DVGW
- WRAS

MARKING AND LABEL on fitting



PE100 d25 SDR11 PN16

WELDING INFORMATION

RESISTANCE [Ohm]	2,52
VOLTAGE [V]	24
FUSION TIME [sec]	40
COOLING TIME [min]	10

Weldability barcode	97052118-025-8-24-252-4-040-74-4
CIRCUIT TYPE	SINGLE WIRE
CONNECTOR DIAMETER [mm]	4,0

WELDABILITY on pipe/fitting :

SDR 33	NO
SDR 26	NO
SDR 17	NO
SDR 11	YES - minimum weldable thickness 3 mm
SDR 9	NO
SDR 7,4	NO

INFOS

- ABSOLUTELY compulsory the use of aligning clamp for all diameters
- ABSOLUTELY compulsory the pipes/fittings scraping

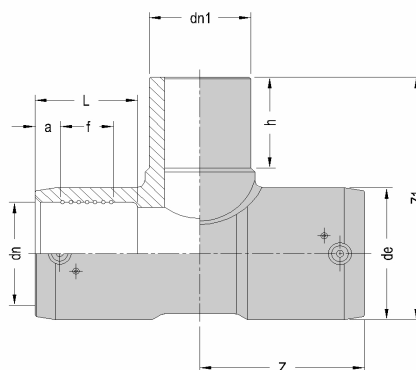
- Moulded in PE100-RC

All dimensions are in millimeters and are intended as nominal and standard sizes: weights are in grams. EUROSTANDARD reserves the right to change geometries and dimensions of any product.

## PRODUCT DETAILS



## DIMENSIONS AND WEIGHT



ITEM	<b>2121160032</b>
dn [mm]	32
dn1 [mm]	
SDR	11
PN	16
MATERIAL	PE100
TRADEMARK	EURO
MANUFACTURING TYPE	INJECTION MOULDED
USE	WATER-GAS
QUANTITY PER BOX	18

NOTE:

dn	[mm]	32	Z	[mm]	64
dn1	[mm]	32	Z1	[mm]	94
de	[mm]	44			
L	[mm]	44			
f	[mm]	28			
a	[mm]	10			
h	[mm]	48	WEIGHT	[g]	105

Tolerance: +/- 5% excluding dn dn1

## STANDARDS AND APPROVALS

EN 12201  
EN 1555  
ISO 15494  
DVGW  
WRAS

## MARKING AND LABEL on fitting



PE100 d32 SDR11 PN16

## WELDING INFORMATION

RESISTANCE [Ohm]	1,58
VOLTAGE [V]	24
FUSION TIME [sec]	50
COOLING TIME [min]	10

Weldability barcode	97052118-032-8-24-158-5-050-74-5
CIRCUIT TYPE	SINGLE WIRE
CONNECTOR DIAMETER [mm]	4,0

### WELDABILITY on pipe/fitting :

SDR 33	NO	
SDR 26	NO	
SDR 17	NO	- minimum weldable thickness 3 mm
SDR 11	YES	
SDR 9	NO	
SDR 7,4	NO	

## INFOS

- ABSOLUTELY compulsory the use of aligning clamp for all diameters
- ABSOLUTELY compulsory the pipes/fittings scraping

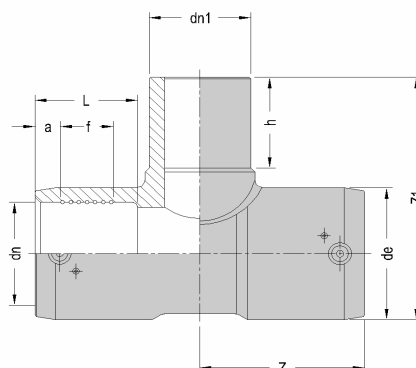
- Moulded in PE100-RC

All dimensions are in millimeters and are intended as nominal and standard sizes: weights are in grams. EUROSTANDARD reserves the right to change geometries and dimensions of any product.

PRODUCT DETAILS



DIMENSIONS AND WEIGHT



ITEM	<b>2121160040</b>
dn [mm]	40
dn1 [mm]	
SDR	11
PN	16
MATERIAL	PE100
TRADEMARK	EURO
MANUFACTURING TYPE	INJECTION MOULDED
USE	WATER-GAS
QUANTITY PER BOX	10

dn	[mm]	40	Z	[mm]	73
dn1	[mm]	40	Z1	[mm]	112
de	[mm]	54			
L	[mm]	49			
f	[mm]	37			
a	[mm]	11			
h	[mm]	57	WEIGHT	[g]	175

Tolerance: +/- 5% excluding dn dn1

NOTE:

MARKING AND LABEL on fitting



PE100 d40 SDR11 PN16

STANDARDS AND APPROVALS

EN 12201  
 EN 1555  
 ISO 15494  
 DVGW  
 WRAS

WELDING INFORMATION

RESISTANCE [Ohm]	1,20	Weldability barcode	97052118-040-8-24-120-5-060-74-6
VOLTAGE [V]	24		
FUSION TIME [sec]	60	CIRCUIT TYPE	SINGLE WIRE
COOLING TIME [min]	10	CONNECTOR DIAMETER [mm]	4,0

WELDABILITY on pipe/fitting :

SDR 33	NO
SDR 26	NO
SDR 17	NO
SDR 11	YES
SDR 9	NO
SDR 7,4	NO

INFOS

- ABSOLUTELY compulsory the use of aligning clamp for all diameters
- ABSOLUTELY compulsory the pipes/fittings scraping

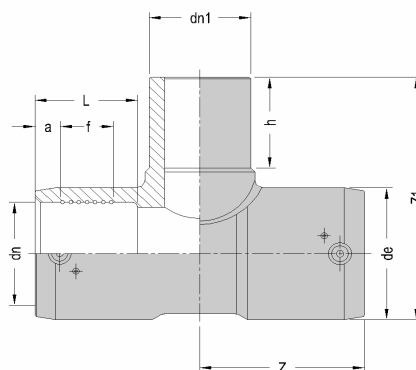
- Moulded in PE100-RC

All dimensions are in millimeters and are intended as nominal and standard sizes: weights are in grams. EUROSTANDARD reserves the right to change geometries and dimensions of any product.

## PRODUCT DETAILS



## DIMENSIONS AND WEIGHT



ITEM	<b>2121160050</b>
dn [mm]	50
dn1 [mm]	
SDR	11
PN	16
MATERIAL	PE100
TRADEMARK	EURO
MANUFACTURING TYPE	INJECTION MOULDED
USE	WATER-GAS
QUANTITY PER BOX	14

NOTE:

dn	[mm]	50	Z	[mm]	81
dn1	[mm]	50	Z1	[mm]	128
de	[mm]	66			
L	[mm]	55			
f	[mm]	36			
a	[mm]	12			
h	[mm]	62	WEIGHT	[g]	300

Tolerance: +/- 5% excluding dn dn1

## STANDARDS AND APPROVALS

EN 12201  
EN 1555  
ISO 15494  
DVGW  
WRAS

## MARKING AND LABEL on fitting



PE100 d50 SDR11 PN16

## WELDING INFORMATION

RESISTANCE [Ohm]	1,05
VOLTAGE [V]	24
FUSION TIME [sec]	80
COOLING TIME [min]	15

Weldability barcode	97052118-050-8-24-105-5-080-74-0
CIRCUIT TYPE	SINGLE WIRE
CONNECTOR DIAMETER [mm]	4,0

### WELDABILITY on pipe/fitting :

SDR 33	NO
SDR 26	NO
SDR 17	NO
SDR 11	YES
SDR 9	NO
SDR 7,4	NO

## INFOS

- ABSOLUTELY compulsory the use of aligning clamp for all diameters
- ABSOLUTELY compulsory the pipes/fittings scraping

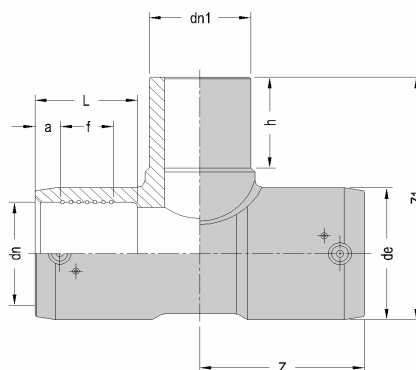
- Moulded in PE100-RC

All dimensions are in millimeters and are intended as nominal and standard sizes: weights are in grams. EUROSTANDARD reserves the right to change geometries and dimensions of any product.

**PRODUCT DETAILS**



**DIMENSIONS AND WEIGHT**



ITEM	<b>2121160063</b>
dn [mm]	63
dn1 [mm]	
SDR	11
PN	16
MATERIAL	PE100
TRADEMARK	EURO
MANUFACTURING TYPE	INJECTION MOULDED
USE	WATER-GAS
QUANTITY PER BOX	8

dn	[mm]	63	Z	[mm]	94
dn1	[mm]	63	Z1	[mm]	153
de	[mm]	81			
L	[mm]	61			
f	[mm]	32			
a	[mm]	13			
h	[mm]	72	WEIGHT	[g]	420

Tolerance: +/- 5% excluding dn dn1

NOTE:

**MARKING AND LABEL on fitting**



PE100 d63 SDR11 PN16

**STANDARDS AND APPROVALS**

- EN 12201
- EN 1555
- ISO 15494
- DVGW
- WRAS

**WELDING INFORMATION**

RESISTANCE [Ohm]	0,67
VOLTAGE [V]	24
FUSION TIME [sec]	110
COOLING TIME [min]	15

Weldability barcode	97052118-063-8-24-067-6-110-74-4
CIRCUIT TYPE	SINGLE WIRE
CONNECTOR DIAMETER [mm]	4,0

**WELDABILITY on pipe/fitting :**

SDR 33	NO
SDR 26	NO
SDR 17	NO
SDR 11	YES
SDR 9	NO
SDR 7,4	NO

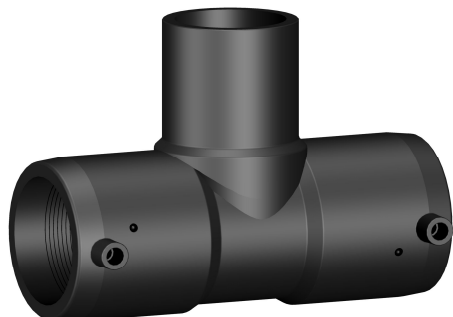
**INFOS**

- ABSOLUTELY compulsory the use of aligning clamp for all diameters
- ABSOLUTELY compulsory the pipes/fitting's scraping

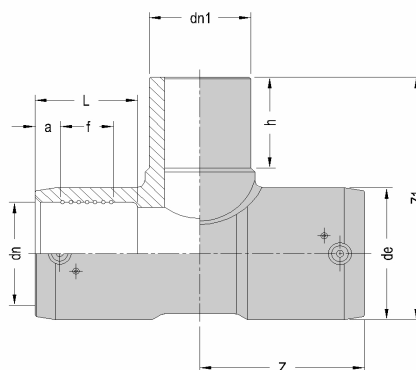
- Moulded in PE100-RC

All dimensions are in millimeters and are intended as nominal and standard sizes: weights are in grams. EUROSTANDARD reserves the right to change geometries and dimensions of any product.

## PRODUCT DETAILS



## DIMENSIONS AND WEIGHT



ITEM	<b>2121160075</b>
dn [mm]	75
dn1 [mm]	
SDR	11
PN	16
MATERIAL	PE100
TRADEMARK	EURO
MANUFACTURING TYPE	INJECTION MOULDED
USE	WATER-GAS
QUANTITY PER BOX	4

NOTE:

dn	[mm]	75	Z	[mm]	113
dn1	[mm]	75	Z1	[mm]	176
de	[mm]	96			
L	[mm]	64			
f	[mm]	29			
a	[mm]	18			
h	[mm]	75	WEIGHT	[g]	700

Tolerance: +/- 5% excluding dn dn1

## STANDARDS AND APPROVALS

EN 12201  
EN 1555  
ISO 15494  
DVGW  
WRAS

## MARKING AND LABEL on fitting



PE100 d75 SDR11 PN16

## WELDING INFORMATION

RESISTANCE [Ohm]	0,49
VOLTAGE [V]	24
FUSION TIME [sec]	115
COOLING TIME [min]	20

Weldability barcode	97052118-075-8-24-049-6-115-74-8
CIRCUIT TYPE	SINGLE WIRE
CONNECTOR DIAMETER [mm]	4,0

### WELDABILITY on pipe/fitting :

SDR 33	NO
SDR 26	NO
SDR 17	YES
SDR 11	YES
SDR 9	NO
SDR 7,4	NO

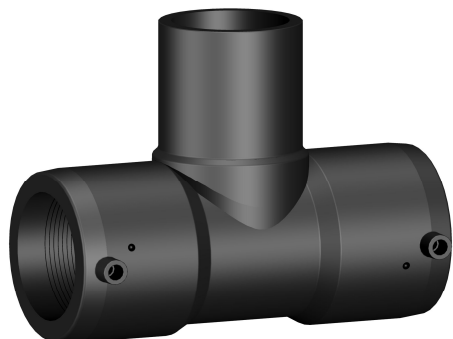
## INFOS

- ABSOLUTELY compulsory the use of aligning clamp for all diameters
- ABSOLUTELY compulsory the pipes/fittings scraping

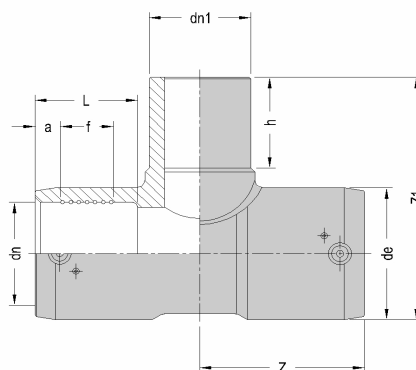
- Moulded in PE100-RC

All dimensions are in millimeters and are intended as nominal and standard sizes: weights are in grams. EUROSTANDARD reserves the right to change geometries and dimensions of any product.

PRODUCT DETAILS



DIMENSIONS AND WEIGHT



ITEM	<b>2121160090</b>
dn [mm]	90
dn1 [mm]	
SDR	11
PN	16
MATERIAL	PE100
TRADEMARK	EURO
MANUFACTURING TYPE	INJECTION MOULDED
USE	WATER-GAS
QUANTITY PER BOX	6

NOTE:

dn	[mm]	90	Z	[mm]	125
dn1	[mm]	90	Z1	[mm]	202
de	[mm]	116			
L	[mm]	70			
f	[mm]	37			
a	[mm]	18			
h	[mm]	85	WEIGHT	[g]	1170

Tolerance: +/- 5% excluding dn dn1

MARKING AND LABEL on fitting



PE100 d90 SDR11 PN16

STANDARDS AND APPROVALS

EN 12201  
 EN 1555  
 ISO 15494  
 DVGW  
 WRAS

WELDING INFORMATION

RESISTANCE [Ohm]	1,30
VOLTAGE [V]	40
FUSION TIME [sec]	180
COOLING TIME [min]	20

Weldability barcode	97052118-090-8-40-130-6-180-74-2
CIRCUIT TYPE	SINGLE WIRE
CONNECTOR DIAMETER [mm]	4,0

WELDABILITY on pipe/fitting :

SDR 33	NO
SDR 26	NO
SDR 17	YES
SDR 11	YES
SDR 9	NO
SDR 7,4	NO

INFOS

- ABSOLUTELY compulsory the use of aligning clamp for all diameters
- ABSOLUTELY compulsory the pipes/fittings scraping

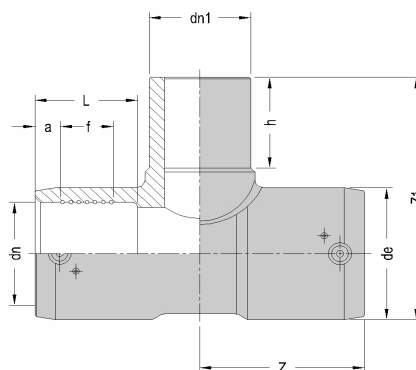
- Moulded in PE100-RC

All dimensions are in millimeters and are intended as nominal and standard sizes: weights are in grams. EUROSTANDARD reserves the right to change geometries and dimensions of any product.

PRODUCT DETAILS



DIMENSIONS AND WEIGHT



ITEM	<b>2121160110</b>
dn [mm]	110
dn1 [mm]	
SDR	11
PN	16
MATERIAL	PE100
TRADEMARK	EURO
MANUFACTURING TYPE	INJECTION MOULDED
USE	WATER-GAS
QUANTITY PER BOX	4

dn	[mm]	110	Z	[mm]	141
dn1	[mm]	110	Z1	[mm]	233
de	[mm]	141			
L	[mm]	76			
f	[mm]	39			
a	[mm]	20			
h	[mm]	84	WEIGHT	[g]	1840

Tolerance: +/- 5% excluding dn dn1

NOTE:

MARKING AND LABEL on fitting



PE100 d110 SDR11 PN16

STANDARDS AND APPROVALS

- EN 12201
- EN 1555
- ISO 15494
- DVGW
- WRAS

WELDING INFORMATION

RESISTANCE [Ohm]	1,00
VOLTAGE [V]	40
FUSION TIME [sec]	225
COOLING TIME [min]	20

Weldability barcode	97052118-110-8-40-100-6-225-74-8
CIRCUIT TYPE	SINGLE WIRE
CONNECTOR DIAMETER [mm]	4,0

WELDABILITY on pipe/fitting :

SDR 33	NO
SDR 26	NO
SDR 17	YES
SDR 11	YES
SDR 9	NO
SDR 7,4	NO

INFOS

- ABSOLUTELY compulsory the use of aligning clamp for all diameters
- ABSOLUTELY compulsory the pipes/fittings scraping

- Moulded in PE100-RC

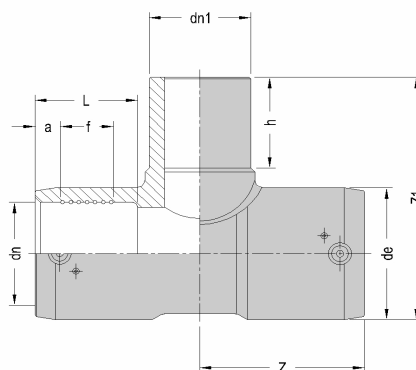
All dimensions are in millimeters and are intended as nominal and standard sizes: weights are in grams. EUROSTANDARD reserves the right to change geometries and dimensions of any product.



## PRODUCT DETAILS



## DIMENSIONS AND WEIGHT



ITEM	<b>2121160125</b>
dn [mm]	125
dn1 [mm]	
SDR	11
PN	16
MATERIAL	PE100
TRADEMARK	EURO
MANUFACTURING TYPE	INJECTION MOULDED
USE	WATER-GAS
QUANTITY PER BOX	1

dn	[mm]	125	Z	[mm]	156
dn1	[mm]	125	Z1	[mm]	269
de	[mm]	161			
L	[mm]	79			
f	[mm]	42			
a	[mm]	19			
h	[mm]	100	WEIGHT	[g]	2800

Tolerance: +/- 5% excluding dn dn1

NOTE:

## STANDARDS AND APPROVALS

EN 12201  
EN 1555  
ISO 15494  
DVGW  
WRAS

## MARKING AND LABEL on fitting



PE100 d125 SDR11 PN16

## WELDING INFORMATION

RESISTANCE [Ohm]	1,05
VOLTAGE [V]	40
FUSION TIME [sec]	315
COOLING TIME [min]	25

Weldability barcode 97052118-125-8-40-105-6-315-74-5

CIRCUIT TYPE	SINGLE WIRE
CONNECTOR DIAMETER [mm]	4,0

## WELDABILITY on pipe/fitting :

SDR 33	NO
SDR 26	NO
SDR 17	YES
SDR 11	YES
SDR 9	NO
SDR 7,4	NO

## INFOS

- ABSOLUTELY compulsory the use of aligning clamp for all diameters
- ABSOLUTELY compulsory the pipes/fittings scraping

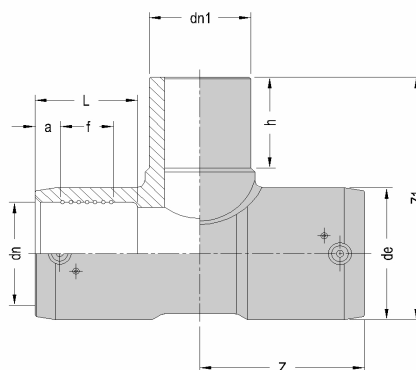
- Moulded in PE100-RC

All dimensions are in millimeters and are intended as nominal and standard sizes: weights are in grams. EUROSTANDARD reserves the right to change geometries and dimensions of any product.

## PRODUCT DETAILS



## DIMENSIONS AND WEIGHT



ITEM	<b>2121160140</b>
dn [mm]	140
dn1 [mm]	
SDR	11
PN	16
MATERIAL	PE100
TRADEMARK	EURO
MANUFACTURING TYPE	INJECTION MOULDED
USE	WATER-GAS
QUANTITY PER BOX	1

NOTE:

dn	[mm]	140	Z	[mm]	150
dn1	[mm]	140	Z1	[mm]	308
de	[mm]	174			
L	[mm]	85			
f	[mm]	38			
a	[mm]	20			
h	[mm]	121	WEIGHT	[g]	3200

Tolerance: +/- 5% excluding dn dn1

## MARKING AND LABEL on fitting



PE100 d140 SDR11 PN16

## STANDARDS AND APPROVALS

EN 12201  
EN 1555  
ISO 15494  
DVGW  
WRAS

## WELDING INFORMATION

RESISTANCE [Ohm]	0,93
VOLTAGE [V]	40
FUSION TIME [sec]	375
COOLING TIME [min]	25

Weldability barcode	97052118-140-8-40-093-6-375-74-2
CIRCUIT TYPE	SINGLE WIRE
CONNECTOR DIAMETER [mm]	4,0

### WELDABILITY on pipe/fitting :

SDR 33	NO
SDR 26	NO
SDR 17	YES
SDR 11	YES
SDR 9	NO
SDR 7,4	NO

## INFOS

- ABSOLUTELY compulsory the use of aligning clamp for all diameters
- ABSOLUTELY compulsory the pipes/fittings scraping

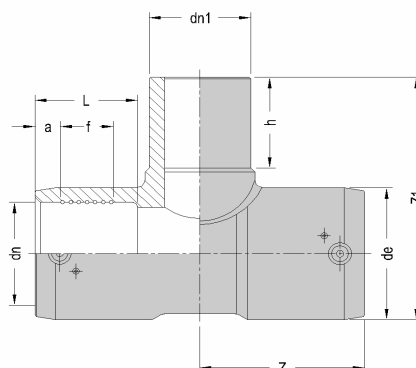
- Moulded in PE100-RC

All dimensions are in millimeters and are intended as nominal and standard sizes: weights are in grams. EUROSTANDARD reserves the right to change geometries and dimensions of any product.

## PRODUCT DETAILS



## DIMENSIONS AND WEIGHT



ITEM	<b>2121160160</b>
dn [mm]	160
dn1 [mm]	
SDR	11
PN	16
MATERIAL	PE100
TRADEMARK	EURO
MANUFACTURING TYPE	INJECTION MOULDED
USE	WATER-GAS
QUANTITY PER BOX	1

dn	[mm]	160	Z	[mm]	184
dn1	[mm]	160	Z1	[mm]	350
de	[mm]	206			
L	[mm]	89			
f	[mm]	51			
a	[mm]	20			
h	[mm]	127	WEIGHT	[g]	5570

Tolerance: +/- 5% excluding dn dn1

NOTE:

## MARKING AND LABEL on fitting



PE100 d160 SDR11 PN16

## STANDARDS AND APPROVALS

EN 12201  
EN 1555  
ISO 15494  
DVGW  
WRAS

## WELDING INFORMATION

RESISTANCE [Ohm]	0,93
VOLTAGE [V]	40
FUSION TIME [sec]	450
COOLING TIME [min]	30

Weldability barcode	97052118-160-8-40-093-6-450-44-7
CIRCUIT TYPE	SINGLE WIRE
CONNECTOR DIAMETER [mm]	4,0

## WELDABILITY on pipe/fitting :

SDR 33	NO
SDR 26	NO
SDR 17	YES
SDR 11	YES
SDR 9	NO
SDR 7,4	NO

## INFOS

- ABSOLUTELY compulsory the use of aligning clamp for all diameters
- ABSOLUTELY compulsory the pipes/fittings scraping

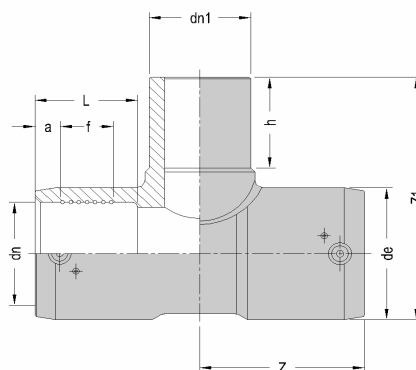
- Moulded in PE100-RC

All dimensions are in millimeters and are intended as nominal and standard sizes: weights are in grams. EUROSTANDARD reserves the right to change geometries and dimensions of any product.

## PRODUCT DETAILS



## DIMENSIONS AND WEIGHT



ITEM	<b>2121160180</b>
dn [mm]	180
dn1 [mm]	
SDR	11
PN	16
MATERIAL	PE100
TRADEMARK	EURO
MANUFACTURING TYPE	INJECTION MOULDED
USE	WATER-GAS
QUANTITY PER BOX	1

NOTE:

## STANDARDS AND APPROVALS

EN 12201  
 EN 1555  
 ISO 15494  
 DVGW  
 WRAS

## WELDING INFORMATION

RESISTANCE [Ohm]	0,64
VOLTAGE [V]	40
FUSION TIME [sec]	480
COOLING TIME [min]	30

### WELDABILITY on pipe/fitting :

SDR 33	NO
SDR 26	NO
SDR 17	YES
SDR 11	YES
SDR 9	NO
SDR 7,4	NO

## INFOS

- ABSOLUTELY compulsory the use of aligning clamp for all diameters
- ABSOLUTELY compulsory the pipes/fittings scraping

- Moulded in PE100-RC

dn	[mm]	180	Z	[mm]	188
dn1	[mm]	180	Z1	[mm]	368
de	[mm]	227			
L	[mm]	105			
f	[mm]	48			
a	[mm]	23			
h	[mm]	130	WEIGHT	[g]	5810

Tolerance: +/- 5% excluding dn dn1

## MARKING AND LABEL on fitting



PE100 d180 SDR11 PN16

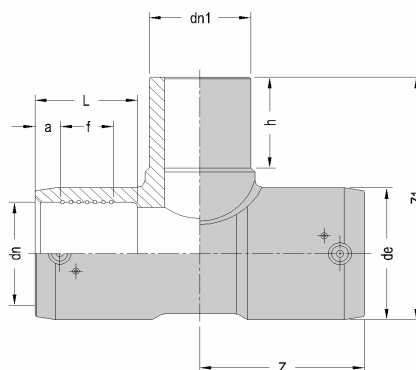
Weldability barcode	97052118-180-8-40-064-6-480-74-9
CIRCUIT TYPE	SINGLE WIRE
CONNECTOR DIAMETER [mm]	4,0

All dimensions are in millimeters and are intended as nominal and standard sizes: weights are in grams. EUROSTANDARD reserves the right to change geometries and dimensions of any product.

**PRODUCT DETAILS**



**DIMENSIONS AND WEIGHT**



ITEM	<b>2121160200</b>
dn [mm]	200
dn1 [mm]	
SDR	11
PN	16
MATERIAL	PE100
TRADEMARK	EURO
MANUFACTURING TYPE	INJECTION MOULDED
USE	WATER-GAS
QUANTITY PER BOX	1

dn	[mm]	200	Z	[mm]	205
dn1	[mm]	200	Z1	[mm]	400
de	[mm]	252			
L	[mm]	112			
f	[mm]	55			
a	[mm]	23			
h	[mm]	135	WEIGHT	[g]	7590

Tolerance: +/- 5% excluding dn dn1

NOTE:

**MARKING AND LABEL on fitting**



PE100 d200 SDR11 PN16

**STANDARDS AND APPROVALS**

- EN 12201
- EN 1555
- ISO 15494
- DVGW
- WRAS

**WELDING INFORMATION**

RESISTANCE [Ohm]	0,64
VOLTAGE [V]	40
FUSION TIME [sec]	570
COOLING TIME [min]	30

Weldability barcode	97052118-200-8-40-064-6-570-74-2
CIRCUIT TYPE	SINGLE WIRE
CONNECTOR DIAMETER [mm]	4,0

**WELDABILITY on pipe/fitting :**

SDR 33	NO
SDR 26	NO
SDR 17	YES
SDR 11	YES
SDR 9	NO
SDR 7,4	NO

**INFOS**

- ABSOLUTELY compulsory the use of aligning clamp for all diameters
- ABSOLUTELY compulsory the pipes/fittings scraping

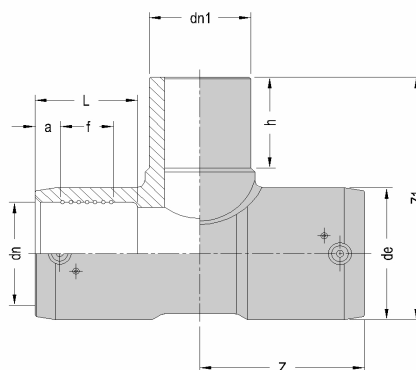
- Moulded in PE100-RC

All dimensions are in millimeters and are intended as nominal and standard sizes: weights are in grams. EUROSTANDARD reserves the right to change geometries and dimensions of any product.

PRODUCT DETAILS



DIMENSIONS AND WEIGHT



ITEM	<b>2121160225</b>
dn [mm]	225
dn1 [mm]	
SDR	11
PN	16
MATERIAL	PE100
TRADEMARK	EURO
MANUFACTURING TYPE	INJECTION MOULDED
USE	WATER-GAS
QUANTITY PER BOX	1

dn	[mm]	225	Z	[mm]	227
dn1	[mm]	225	Z1	[mm]	442
de	[mm]	278			
L	[mm]	120			
f	[mm]	50			
a	[mm]	37			
h	[mm]	144	WEIGHT	[g]	10950

Tolerance: +/- 5% excluding dn dn1

NOTE:

MARKING AND LABEL on fitting



PE100 d225 SDR11 PN16

STANDARDS AND APPROVALS

EN 12201  
EN 1555  
ISO 15494  
DVGW

WELDING INFORMATION

RESISTANCE [Ohm]	0,58
VOLTAGE [V]	40
FUSION TIME [sec]	480
COOLING TIME [min]	30

Weldability barcode	97052118-225-8-40-058-6-480-74-6
CIRCUIT TYPE	SINGLE WIRE
CONNECTOR DIAMETER [mm]	4,0

WELDABILITY on pipe/fitting :

SDR 33	NO
SDR 26	NO
SDR 17	YES only with electrofusion universal units
SDR 11	YES only with electrofusion universal units
SDR 9	NO
SDR 7,4	NO

INFOS

- ABSOLUTELY compulsory the use of aligning clamp for all diameters
- ABSOLUTELY compulsory the pipes/fittings scraping

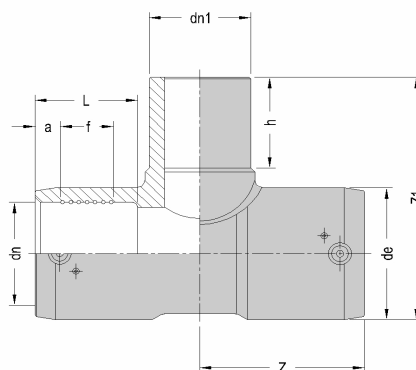
- Moulded in PE100-RC

All dimensions are in millimeters and are intended as nominal and standard sizes: weights are in grams. EUROSTANDARD reserves the right to change geometries and dimensions of any product.

PRODUCT DETAILS



DIMENSIONS AND WEIGHT



ITEM	<b>2121160250</b>
dn [mm]	250
dn1 [mm]	
SDR	11
PN	16
MATERIAL	PE100
TRADEMARK	EURO
MANUFACTURING TYPE	INJECTION MOULDED
USE	WATER-GAS
QUANTITY PER BOX	1

dn	[mm]	250	Z	[mm]	250
dn1	[mm]	250	Z1	[mm]	491
de	[mm]	307			
L	[mm]	127			
f	[mm]	63			
a	[mm]	34			
h	[mm]	155	WEIGHT	[g]	13460

Tolerance: +/- 5% excluding dn dn1

NOTE:

MARKING AND LABEL on fitting



PE100 d250 SDR11 PN16

STANDARDS AND APPROVALS

EN 12201  
 EN 1555  
 ISO 15494  
 DVGW

WELDING INFORMATION

RESISTANCE [Ohm]	0,60
VOLTAGE [V]	40
FUSION TIME [sec]	500
COOLING TIME [min]	30

Weldability barcode	97052118-250-8-40-060-6-500-74-6
CIRCUIT TYPE	SINGLE WIRE
CONNECTOR DIAMETER [mm]	4,0

WELDABILITY on pipe/fitting :

SDR 33	NO
SDR 26	NO
SDR 17	YES only with electrofusion universal units
SDR 11	YES only with electrofusion universal units
SDR 9	NO
SDR 7,4	NO

INFOS

- ABSOLUTELY compulsory the use of aligning clamp for all diameters
- ABSOLUTELY compulsory the pipes/fittings scraping

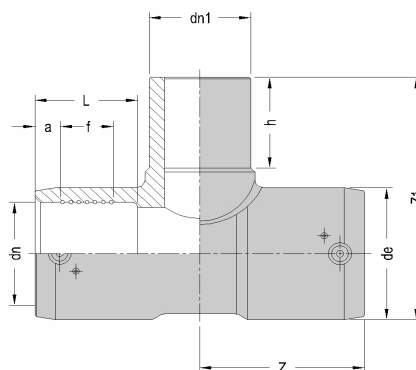
- Moulded in PE100-RC

All dimensions are in millimeters and are intended as nominal and standard sizes: weights are in grams. EUROSTANDARD reserves the right to change geometries and dimensions of any product.

PRODUCT DETAILS



DIMENSIONS AND WEIGHT



ITEM	<b>2121160315</b>
dn [mm]	315
dn1 [mm]	
SDR	11
PN	16
MATERIAL	PE100
TRADEMARK	EURO
MANUFACTURING TYPE	INJECTION MOULDED
USE	WATER-GAS
QUANTITY PER BOX	1

dn	[mm]	315	Z	[mm]	292
dn1	[mm]	315	Z1	[mm]	410
de	[mm]	387			
L	[mm]	145			
f	[mm]	54			
a	[mm]	46			
h	[mm]	180	WEIGHT	[g]	25500

Tolerance: +/- 5% excluding dn dn1

NOTE:

MARKING AND LABEL on fitting



PE100 d315 SDR11 PN16

STANDARDS AND APPROVALS

EN 12201  
EN 1555  
ISO 15494  
DVGW

WELDING INFORMATION

RESISTANCE [Ohm]	0,52
VOLTAGE [V]	40
FUSION TIME [sec]	750
COOLING TIME [min]	30

Weldability barcode	97052134-315-8-40-052-6-750-74-1
CIRCUIT TYPE	SINGLE WIRE
CONNECTOR DIAMETER [mm]	4,0

WELDABILITY on pipe/fitting :

SDR 33	NO
SDR 26	NO
SDR 17	YES only with electrofusion universal units
SDR 11	YES only with electrofusion universal units
SDR 9	NO
SDR 7,4	NO

INFOS

- ABSOLUTELY compulsory the use of aligning clamp for all diameters
- ABSOLUTELY compulsory the pipes/fittings scraping

- Moulded in PE100-RC

All dimensions are in millimeters and are intended as nominal and standard sizes: weights are in grams. EUROSTANDARD reserves the right to change geometries and dimensions of any product.