

## Электродвигатели АИС (материал станины-алюминий)

Предназначены для комплектации электроприводов различных механизмов во всех отраслях промышленности и аграрного комплекса.

Рассчитаны для работы от сети переменного трехфазного тока.

Частота сети 50 и 60 Гц, напряжение 220/380 В, 380/660 В, степень защиты электродвигателей IP55, класс изоляции F, класс энергоэффективности IE1/IE2.

Электродвигатели могут быть оснащены РТС-термисторами или датчиками pt100 для защиты обмоток статора от перегрева, а также датчиками pt100 для защиты подшипниковых узлов (опция). Кроме того, электродвигатели серии АИС могут быть оснащены подшипниками SKF/FAG (опция).

Климатические исполнения: умеренный климат У1 по ГОСТ 15150.

Электродвигатели серии АИС соответствуют нормам CINELEC и стандартам DIN по присоединительным и установочным размерам.

| Тип                | Р. кВт. | Номинальная частота вращения, об/мин | КПД. % | cosφ | Is/In | Ms/Mn | Mmax/Mn | In, А | Масса, кг |
|--------------------|---------|--------------------------------------|--------|------|-------|-------|---------|-------|-----------|
| <b>3000 об/мин</b> |         |                                      |        |      |       |       |         |       |           |
| AIS56M1-2          | 0.09    | 2700                                 | 62.0   | 0.77 | 5.2   | 2.2   | 2.3     | 0.29  | 2.6       |
| AIS56M2-2          | 0.12    | 2700                                 | 64.0   | 0.78 | 5.2   | 2,2   | 2.3     | 0.37  | 3.0       |
| AIS63M1-2          | 0.18    | 2720                                 | 65.0   | 0.8  | 5.5   | 2.2   | 2.3     | 0.53  | 4.0       |
| AIS63M2-2          | 0.25    | 2720                                 | 68.0   | 0.8  | 5,5   | 2.2   | 2.3     | 0.69  | 4.2       |
| AIS71M1-2          | 0.37    | 2755                                 | 69.0   | 0.81 | 6.1   | 2.2   | 2.3     | 1.01  | 5.2       |
| AIS71M2-2          | 0.55    | 2790                                 | 74.0   | 0.82 | 6.1   | 2.2   | 2.3     | 1.38  | 6.0       |
| AIS80M1-2          | 0.75    | 2845                                 | 75.0   | 0.83 | 6.1   | 2.2   | 2.3     | 1.77  | 8.7       |
| AIS80M2-2          | 1.1     | 2835                                 | 76.2   | 0.84 | 6.9   | 2,2   | 2.3     | 2.61  | 10.0      |

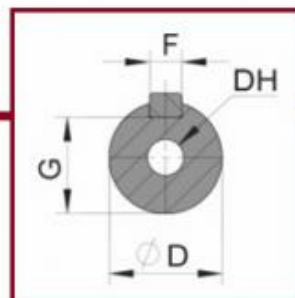
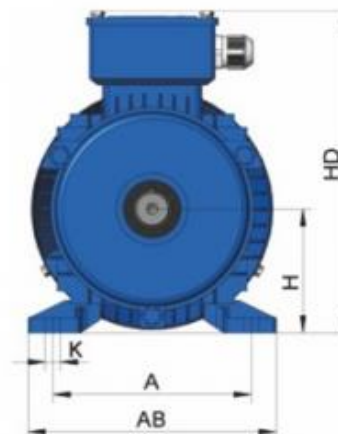
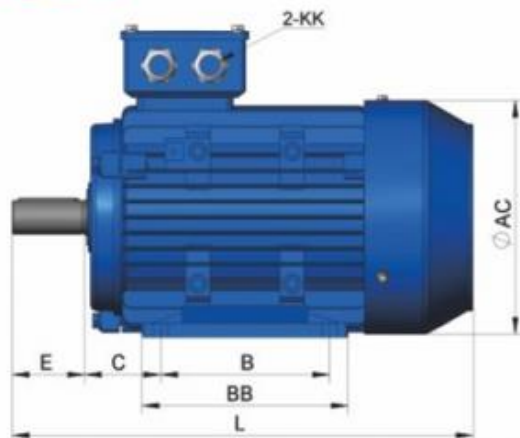
|                    |      |      |      |      |     |     |     |      |      |
|--------------------|------|------|------|------|-----|-----|-----|------|------|
| AIS90S-2           | 1.5  | 2850 | 78.5 | 0.84 | 7.0 | 2.2 | 2.3 | 3.46 | 12.0 |
| AIS90L-2           | 2.2  | 2855 | 81.0 | 0.85 | 7.0 | 2.2 | 2.3 | 4.85 | 14.5 |
| AIS100L-2          | 3.0  | 2860 | 82.6 | 0.87 | 7.5 | 2.2 | 2.3 | 6.34 | 20.0 |
| AIS112M-2          | 4.0  | 2880 | 84.2 | 0.88 | 7.5 | 2.2 | 2.3 | 8.20 | 26.0 |
| AIS132S1-2         | 5.5  | 2900 | 85.7 | 0.88 | 7.5 | 2.2 | 2,3 | 11.1 | 38.4 |
| AIS132S2-2         | 7.5  | 2900 | 87.0 | 0,88 | 7.5 | 2.2 | 2.3 | 14.9 | 41.3 |
| AIS160M1-2         | 11.0 | 2940 | 88.0 | 0.89 | 7.5 | 2.2 | 2.3 | 21.3 | 76.0 |
| AIS160M2-2         | 15.0 | 2930 | 89.0 | 0.89 | 7.5 | 2.2 | 2.3 | 28.8 | 77.5 |
| AIS160L-2          | 18.5 | 2930 | 90.0 | 0.90 | 7.5 | 2.2 | 2.3 | 34.7 | 92.0 |
| AIS180M-2          | 22   | 2950 | 90.0 | 0.90 | 7.5 | 2.0 | 2.3 | 41.3 | 121  |
| <b>1500 об/мин</b> |      |      |      |      |     |     |     |      |      |
| AIS56M1-4          | 0.06 | 1300 | 56.0 | 0.70 | 4,0 | 2.4 | 2.3 | 0.23 | 2.9  |
| AIS56M2-4          | 0.09 | 1300 | 58.0 | 0.72 | 4,0 | 2.4 | 2.3 | 0.33 | 3.2  |
| AIS63M1-4          | 0.12 | 1310 | 57.0 | 0.72 | 4,4 | 2.4 | 2.3 | 0.44 | 3.7  |
| AIS63 M2-4         | 0.18 | 1310 | 60.0 | 0.73 | 4,4 | 2.4 | 2.3 | 0.62 | 4.2  |
| AIS71 M1-4         | 0.25 | 1340 | 65.0 | 0.74 | 5.2 | 2.4 | 2.3 | 0.79 | 5.0  |
| AIS71 M2-4         | 0.37 | 1340 | 67.0 | 0.75 | 5.2 | 2.4 | 2.3 | 1.12 | 5.8  |
| AIS80 M1-4         | 0.55 | 1390 | 71.0 | 0.75 | 5.2 | 2.4 | 2.3 | 1.52 | 8.1  |
| AIS80 M2-4         | 0.75 | 1380 | 73.0 | 0.76 | 6.0 | 2.3 | 2.3 | 2.05 | 9.1  |
| AIS90S-4           | 1.1  | 1390 | 76.2 | 0.77 | 6,0 | 2,3 | 2.3 | 2.85 | 11.7 |

|                    |      |      |      |      |     |     |     |       |      |
|--------------------|------|------|------|------|-----|-----|-----|-------|------|
| AIS90L-4           | 1.5  | 1400 | 78.5 | 0.78 | 6.0 | 2.3 | 2.3 | 3.72  | 14.4 |
| AIS100L1-4         | 2.2  | 1420 | 81.0 | 0.81 | 7.0 | 2,3 | 2.3 | 5.09  | 19.2 |
| AIS100L2-4         | 3.0  | 1420 | 82.6 | 0.82 | 7.0 | 2.3 | 2.3 | 6.78  | 22.5 |
| AIS112M-4          | 4.0  | 1435 | 84.2 | 0.82 | 7.0 | 2.3 | 2.3 | 8.80  | 29.0 |
| AIS132S-4          | 5.5  | 1440 | 85.7 | 0.83 | 7.0 | 2.3 | 2.3 | 11.70 | 39.0 |
| AIS132M-4          | 7.5  | 1450 | 87.0 | 0.84 | 7.0 | 2.3 | 2.3 | 15.60 | 48.6 |
| AIS160M-4          | 11.0 | 1460 | 88.0 | 0.84 | 7.0 | 2.2 | 2.3 | 22.50 | 73.0 |
| AIS160L-4          | 15.0 | 1460 | 89.0 | 0,85 | 7.0 | 2.2 | 2.3 | 30.0  | 88.5 |
| AIS180M-4          | 18.5 | 1460 | 90.5 | 0.86 | 7.5 | 2.2 | 2.3 | 36.3  | 118  |
| AIS180L-4          | 22   | 1460 | 91.0 | 0.86 | 7.5 | 2.2 | 2.3 | 43.60 | 128  |
| <b>1000 об/мин</b> |      |      |      |      |     |     |     |       |      |
| AIS71M1-6          | 0.18 | 870  | 56.0 | 0.66 | 4.0 | 1.9 | 2.0 | 0.74  | 5.6  |
| AIS71M2-6          | 0.25 | 870  | 59.0 | 0.68 | 4.0 | 1.9 | 2.0 | 0.95  | 6.0  |
| AIS80M1-6          | 0.37 | 880  | 62.0 | 0.70 | 4.7 | 1.9 | 2.0 | 1.23  | 8.1  |
| AIS80M2-6          | 0.55 | 880  | 65.0 | 0.72 | 4.7 | 1.9 | 2.1 | 1.7   | 9.6  |
| AIS90S-6           | 0.75 | 905  | 69.0 | 0.72 | 5.3 | 2.0 | 2.1 | 2.29  | 11,3 |
| AIS90L-6           | 1.1  | 905  | 72.0 | 0.73 | 5.5 | 2.0 | 2.1 | 3.18  | 14.4 |
| AIS100L-6          | 1.5  | 820  | 76.0 | 0,76 | 5.5 | 2.0 | 2.1 | 4.0   | 18.8 |
| AIS112M-6          | 2.2  | 935  | 79.0 | 0.76 | 6.5 | 2.0 | 2.1 | 5.6   | 25.0 |
| AIS132S-6          | 3.0  | 960  | 81.0 | 0.76 | 6.5 | 2.0 | 2.1 | 7.4   | 35.0 |

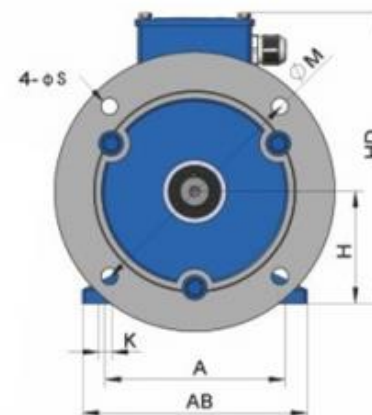
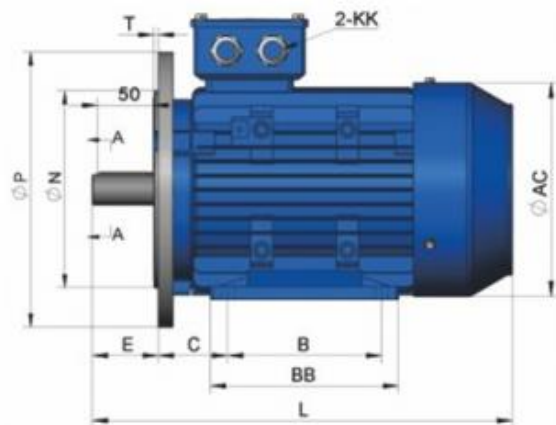
|                   |      |     |      |      |     |     |     |       |      |
|-------------------|------|-----|------|------|-----|-----|-----|-------|------|
| AIS132M1-6        | 4.0  | 960 | 82.0 | 0.76 | 6.5 | 2.0 | 2.1 | 9.5   | 47.6 |
| AIS132M2-6        | 5.5  | 960 | 84.0 | 0.77 | 6.5 | 2.0 | 2.1 | 12.6  | 50.7 |
| AIS160M-6         | 7.5  | 970 | 86.0 | 0.78 | 6.5 | 2.0 | 2.1 | 16.9  | 70.0 |
| AIS160L-6         | 11.0 | 970 | 87.5 | 0.79 | 6.5 | 2.0 | 2.1 | 24.5  | 87.0 |
| AIS180L-6         | 15   | 970 | 89.0 | 0.81 | 7   | 2.0 | 2.1 | 31.6  | 122  |
| <b>750 об/мин</b> |      |     |      |      |     |     |     |       |      |
| AIS80M1-8         | 0.18 | 645 | 51.0 | 0.61 | 3.3 | 1.8 | 1.9 | 0,83  | 9.4  |
| AIS80M2-8         | 0.25 | 645 | 54.0 | 0.61 | 3.3 | 1.8 | 1.9 | 1,1   | 10.1 |
| AIS90S-8          | 0.37 | 680 | 63.0 | 0.63 | 4.0 | 1.8 | 1.9 | 1.49  | 12.5 |
| AIS90L-8          | 0.55 | 680 | 63.0 | 0.61 | 4.0 | 1.8 | 1.9 | 2.17  | 15.3 |
| AIS100L1-8        | 0.75 | 680 | 70.0 | 0.67 | 4.0 | 1.8 | 1.9 | 2,43  | 17.2 |
| AIS100L2-8        | 1.1  | 680 | 72.0 | 0.69 | 5.0 | 1.8 | 2,0 | 3.36  | 19.5 |
| AIS112M-8         | 1.5  | 690 | 74.0 | 0.7  | 5.0 | 1.8 | 2.0 | 4.4   | 25.5 |
| AIS132S-8         | 2.2  | 710 | 79.0 | 0.71 | 6.0 | 1.8 | 2.0 | 6.0   | 34.2 |
| AIS132M1-8        | 3.0  | 710 | 80.0 | 0.71 | 6.0 | 1.8 | 2.0 | 7,8   | 40.0 |
| AIS160M1-8        | 4.0  | 720 | 81.0 | 0.71 | 6.0 | 1.8 | 2.0 | 10.3  | 59.0 |
| AIS160M2-8        | 5.5  | 720 | 83.0 | 0.71 | 6.0 | 1.9 | 2.0 | 13,6  | 69.0 |
| AIS160L-8         | 7.5  | 720 | 85.5 | 0.73 | 6.0 | 1.9 | 2.0 | 17.90 | 87.0 |
| AIS180L-8         | 11   | 715 | 87.5 | 0.73 | 6.6 | 2   | 2.0 | 26.2  | 125  |

Основные технические характеристики электродвигателей серии АИС (схемы)

## IM 1081

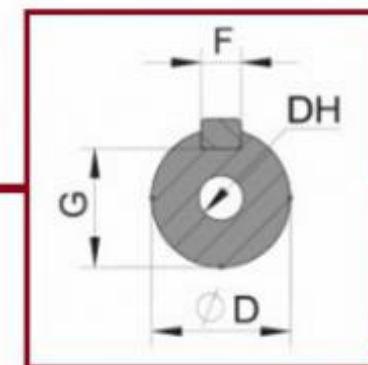
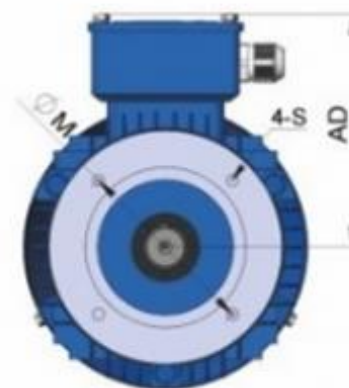


## IM 2081



| Габарит | A   | AA | AB  | BB  | HA   | AC  | AD  | B   | C   | D  | DH     | E   | F  | G    | H   | K    | L   | M   | N   | P   | S  | T   |
|---------|-----|----|-----|-----|------|-----|-----|-----|-----|----|--------|-----|----|------|-----|------|-----|-----|-----|-----|----|-----|
| 56      | 90  | 23 | 115 | 88  | 7    | 110 | 100 | 71  | 36  | 9  | M4x12  | 20  | 3  | 7.2  | 56  | 5.8  | 199 | 100 | 80  | 120 | 7  | 3.0 |
| 63      | 100 | 24 | 137 | 100 | 7.0  | 123 | 111 | 80  | 40  | 11 | M4x12  | 23  | 4  | 8.5  | 63  | 7.0  | 221 | 115 | 95  | 140 | 10 | 3.0 |
| 71      | 112 | 26 | 133 | 110 | 8.0  | 137 | 127 | 90  | 45  | 14 | M5x12  | 30  | 5  | 11.0 | 71  | 7.0  | 247 | 130 | 110 | 160 | 10 | 3.5 |
| 80      | 125 | 35 | 157 | 125 | 9.0  | 155 | 136 | 100 | 50  | 19 | M6x16  | 40  | 6  | 15.5 | 80  | 10.0 | 290 | 165 | 130 | 200 | 12 | 3.5 |
| 90S     | 140 | 37 | 175 | 125 | 10.0 | 175 | 144 | 100 | 56  | 24 | M8x19  | 50  | 8  | 20.0 | 90  | 10.0 | 315 | 165 | 130 | 200 | 12 | 3.5 |
| 90L     | 140 | 37 | 175 | 150 | 10.0 | 175 | 144 | 125 | 56  | 24 | M8x19  | 50  | 8  | 20.0 | 90  | 10.0 | 340 | 165 | 130 | 200 | 12 | 3.5 |
| 100L    | 160 | 40 | 200 | 172 | 11.0 | 195 | 160 | 140 | 63  | 28 | M10x22 | 60  | 8  | 24.0 | 100 | 12.0 | 382 | 215 | 180 | 250 | 15 | 4.0 |
| 112M    | 190 | 41 | 226 | 181 | 12.0 | 220 | 183 | 140 | 70  | 28 | M10x22 | 60  | 8  | 24.0 | 112 | 12.0 | 400 | 215 | 180 | 250 | 15 | 4.0 |
| 132S    | 216 | 51 | 260 | 186 | 14.5 | 258 | 198 | 140 | 89  | 38 | M12x28 | 80  | 10 | 33.0 | 132 | 12.0 | 469 | 265 | 230 | 300 | 15 | 4.0 |
| 132M    | 216 | 51 | 260 | 224 | 14.5 | 258 | 198 | 178 | 89  | 38 | M12x28 | 80  | 10 | 33.0 | 132 | 12.0 | 508 | 265 | 230 | 300 | 15 | 4.0 |
| 160M    | 254 | 60 | 314 | 260 | 18.0 | 315 | 255 | 210 | 108 | 42 | M16x36 | 110 | 12 | 37.0 | 160 | 15.0 | 613 | 300 | 250 | 350 | 19 | 5.0 |
| 160L    | 254 | 60 | 314 | 304 | 18.0 | 315 | 255 | 254 | 108 | 42 | M16x36 | 110 | 12 | 37.0 | 160 | 15.0 | 658 | 300 | 250 | 350 | 19 | 5.0 |
| 180M    | 279 | -  | 355 | -   | -    | 355 | 280 | 241 | 121 | 48 | M16X36 | 110 | 14 | 42.5 | 180 | 15.0 | 700 | -   | -   | -   | -  | -   |
| 180L    | 279 | -  | 355 | -   | -    | 355 | 280 | 279 | 121 | 48 | M16X36 | 110 | 14 | 42.5 | 180 | 15.0 | 740 | -   | -   | -   | -  | -   |

# IM 3681



| Габарит | AC  | AD  | D  | DH     | E   | F  | G    | L   | 3681 |     |     |     |     |
|---------|-----|-----|----|--------|-----|----|------|-----|------|-----|-----|-----|-----|
|         |     |     |    |        |     |    |      |     | M    | N   | P   | S   | T   |
| 56      | 110 | 100 | 9  | M4x12  | 20  | 3  | 7.2  | 199 | 65   | 50  | 80  | M5  | 2.5 |
| 63      | 123 | 109 | 11 | M4x12  | 23  | 4  | 8.5  | 221 | 75   | 60  | 90  | M5  | 2.5 |
| 71      | 137 | 127 | 14 | M5x12  | 30  | 5  | 11.0 | 247 | 85   | 70  | 105 | M6  | 2.5 |
| 80      | 155 | 134 | 19 | M6x16  | 40  | 6  | 15.5 | 290 | 100  | 80  | 120 | M6  | 3.0 |
| 90S     | 175 | 140 | 24 | M8x19  | 50  | 8  | 20.0 | 315 | 115  | 95  | 140 | M8  | 3.0 |
| 90L     | 175 | 140 | 24 | M8x19  | 50  | 8  | 20.0 | 340 | 115  | 95  | 140 | M8  | 3.0 |
| 100L    | 195 | 160 | 28 | M10x22 | 60  | 8  | 24.0 | 382 | 130  | 110 | 160 | M8  | 3.5 |
| 112M    | 220 | 178 | 28 | M10x22 | 60  | 8  | 24.0 | 400 | 130  | 110 | 160 | M8  | 3.5 |
| 132S    | 258 | 206 | 38 | M12x28 | 80  | 10 | 33.0 | 469 | 165  | 130 | 200 | M10 | 3.5 |
| 132M    | 258 | 206 | 38 | M12x28 | 80  | 10 | 33.0 | 508 | 165  | 130 | 200 | M10 | 3.5 |
| 160M    | 315 | 255 | 42 | M16x36 | 110 | 12 | 37.0 | 613 | 215  | 180 | 250 | M12 | 4.0 |
| 160L    | 315 | 255 | 42 | M16x36 | 110 | 12 | 37.0 | 658 | 215  | 180 | 250 | M12 | 4.0 |
| 180M    | 355 | 280 | 48 | M16X36 | 110 | 14 | 42.5 | 700 | 300  | 250 | 350 | 19  | 5   |
| 180L    | 355 | 280 | 48 | M16X36 | 110 | 14 | 42.5 | 740 | 300  | 250 | 350 | 19  | 5   |