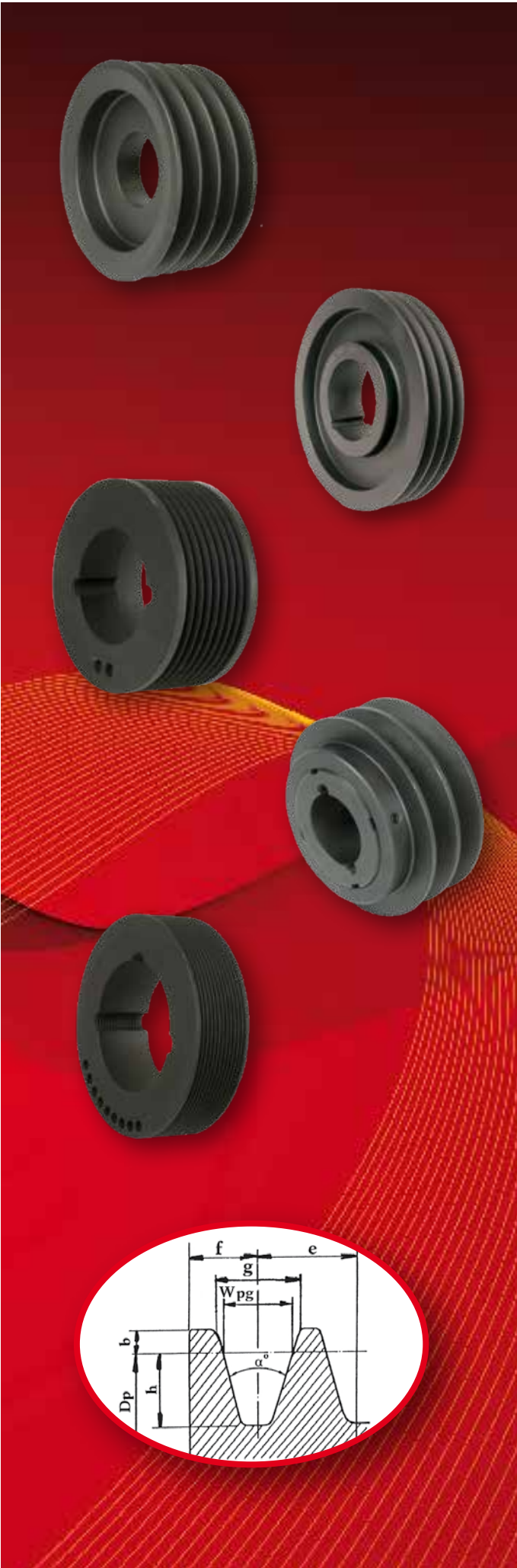




# CAST- IRON V-BELT PULLEYS



All V-belt pulleys are compliant with current legislation and are made of cast iron **GG 20** with protective phosphate.

Running in normal standard, the pulleys are statically balanced and this is sufficient for peripheral speeds up to **25 m/s**.

For higher speeds is essential dynamic balancing can be provided on request.

**The Chiaravalli Group SpA is able to perform, upon request, balancing pulleys with diameters up to 630, with balancing CNC, accompanying certificate of balancing performed.**

Over 35 m / sec, the pulleys in cast iron are not the most suitable and it requires the use of high-strength material.

D = diameter in meters

N = number of revolutions per minute

$$V_p = \frac{\pi \cdot D \cdot n}{60} = \frac{D \cdot n}{19,1} \text{ m/sec.}$$

Dimensions shown on the dimensional tables are not binding even if they are respected as far as possible.

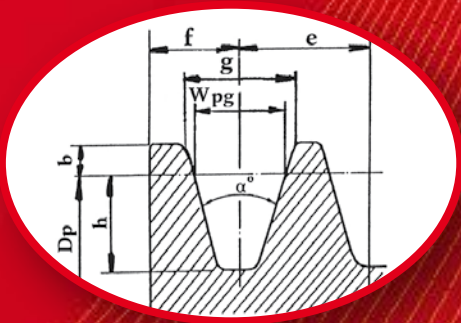
We reserve the right to make variations and modifications without prior notice.

## FEATURES OF THE GORGE

PROFILE	Dp mm	α°	W pg	g	h	b mm	f	e
<b>SPZ</b>	< 80	34°						
	> 80	38°	8,5	9,7	9	2	8	12
<b>SPA</b>	< 118	34°						
	> 118	38°	11	12,7	11	2,8	10	15
<b>SPB</b>	< 190	34°						
	> 190	38°	14	16,3	14	3,5	12,5	19
<b>SPC</b>	< 315	34°						
	> 315	38°	19	22,0	19	4,8	17	25,5

## BAND WIDTH

N° GROOVES	SPZ	SPA	SPB	SPC
1	16	20	25	34
2	28	35	44	59,5
3	40	50	63	85
4	52	65	82	111
5	64	80	101	136
6		95	120	162
8			158	213
10			196	264





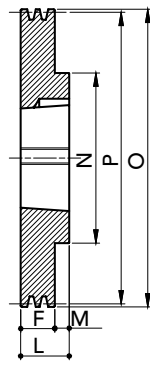


## TAPER BUSHES

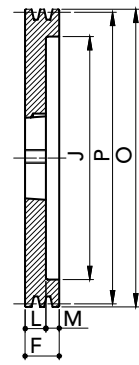
## SPB/02 TYPE

We are engaged to respect shapes and dimensions shown on this sheet but, we reserve the right to make changes and modifications without notice.

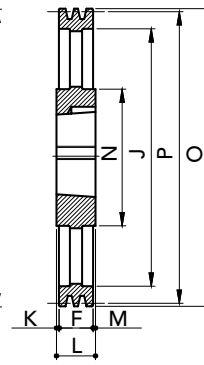
TYPE 1



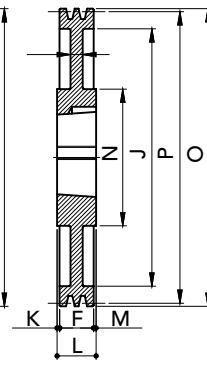
TYPE 2



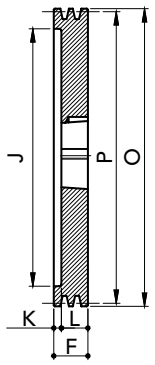
TYPE 4



TYPE 7



TYPE 8



PRODUCT CODE	PRODUCT MODEL	GROOVES	P	O	TYPE	BUSH	MAX BORE	E	F	J	K	L	M	N	WEIGHT (Kg)
91301002	SPB100-02	2	100	107	8	1610	42	-	44	62	19	25	-	-	1,16
91301062	SPB106-02	2	106	113	8	1610	42	-	44	67	19	25	-	-	1,35
91301122	SPB112-02	2	112	119	8	1610	42	-	44	72	19	25	-	-	1,6
91301182	SPB118-02	2	118	125	2	1610	42	-	44	78	-	25	19	-	1,83
91301252	SPB125-02	2	125	132	2	2012	50	-	44	82	-	32	12	-	2,2
91301322	SPB132-02	2	132	139	2	2012	50	-	44	89	-	32	12	-	2,33
91301402	SPB140-02	2	140	147	2	2012	50	-	44	97	-	32	12	-	2,71
91301502	SPB150-02	2	150	157	2	2012	50	-	44	107	-	32	12	-	3,25
91301602	SPB160-02	2	160	167	2	2012	50	-	44	117	-	32	12	-	3,8
91301702	SPB170-02	2	170	177	2	2012	50	-	44	127	-	32	12	-	4,4
91301802	SPB180-02	2	180	187	1	2517	60	-	44	-	-	45	1	120	5,45
91301902	SPB190-02	2	190	197	1	2517	60	-	44	-	-	45	1	120	6,3
91302002	SPB200-02	2	200	207	1	2517	60	-	44	-	-	45	1	117	7,3
91302122	SPB212-02	2	212	219	7	2517	60	15	44	169	-	45	1	117	6,05
91302242	SPB224-02	2	224	231	4	2517	60	-	44	181	-	45	1	117	5,84
91302362	SPB236-02	2	236	243	4	2517	60	-	44	193	-	45	1	117	6,28
91302502	SPB250-02	2	250	257	4	2517	60	-	44	207	-	45	1	125	7
91302802	SPB280-02	2	280	287	4	2517	60	-	44	237	-	45	1	125	8,06
91303002	SPB300-02	2	300	307	4	2517	60	-	44	257	-	45	1	125	8,67
91303152	SPB315-02	2	315	322	4	2517	60	-	44	272	-	45	1	125	9,15
91303352	SPB335-02	2	335	342	4	2517	60	-	44	292	-	45	1	125	9,82
91303552	SPB355-02	2	355	362	4	3020	75	-	44	312	3,5	51	3,5	144	10,98
91304002	SPB400-02	2	400	407	4	3020	75	-	44	357	3,5	51	3,5	150	13,6
91304502	SPB450-02	2	450	457	4	3020	75	-	44	407	3,5	51	3,5	150	15,2
91305002	SPB500-02	2	500	507	4	3020	75	-	44	457	3,5	51	3,5	150	17,14
91305602	SPB560-02	2	560	567	4	3030	75	-	44	517	4	76	28	150	21,55

MATERIAL CAST-IRON

CAD drawings available on our site  
[www.chiaravalli.com](http://www.chiaravalli.com)

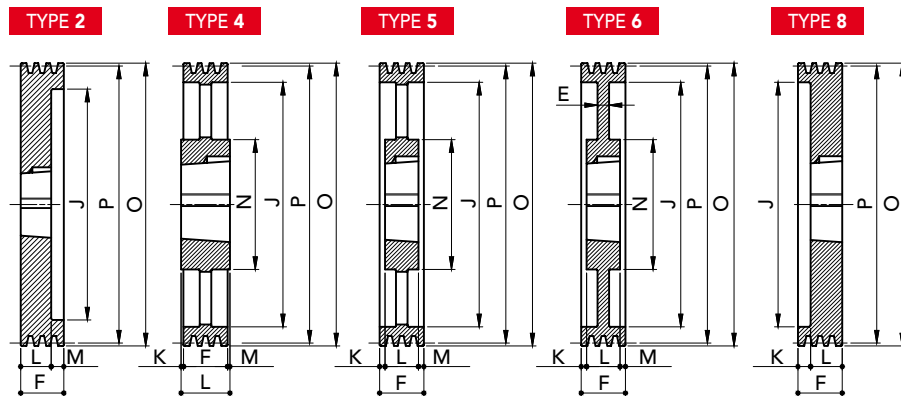
Quantity, availability and prices  
 on B2B Chiaravalli



## TAPER BUSHES

### SPB/03 TYPE

We are engaged to respect shapes and dimensions shown on this sheet but, we reserve the right to make changes and modifications without notice.



V-BELT PULLEYS for TAPER BUSHES

PRODUCT CODE	PRODUCT MODEL	GROOVES	P	O	TYPE	BUSH	MAX BORE	E	F	J	K	L	M	N	WEIGHT (Kg)
91301063	SPB106-03	3	106	113	8	1610	42	-	63	67	38	25	-	-	1,8
91301123	SPB112-03	3	112	119	8	1610	42	-	63	72	38	25	-	-	2,08
91301183	SPB118-03	3	118	125	2	1610	42	-	63	78	-	25	38	-	2,35
91301253	SPB125-03	3	125	132	2	2012	50	-	63	82	-	32	31	-	2,6
91301323	SPB132-03	3	132	139	2	2012	50	-	63	89	-	32	31	-	3
91301403	SPB140-03	3	140	147	2	2012	50	-	63	97	-	32	31	-	3,45
91301503	SPB150-03	3	150	157	2	2517	60	-	63	107	-	45	18	-	3,9
91301603	SPB160-03	3	160	167	2	2517	60	-	63	117	-	45	18	-	4,72
91301703	SPB170-03	3	170	177	2	2517	60	-	63	127	-	45	18	-	5,55
91301803	SPB180-03	3	180	187	2	2517	60	-	63	137	-	45	18	-	6,42
91301903	SPB190-03	3	190	197	2	2517	60	-	63	147	-	45	18	-	7,37
91302003	SPB200-03	3	200	207	2	2517	60	-	63	157	-	45	18	-	8,55
91302123	SPB212-03	3	212	219	6	2517	60	15	63	169	-	45	18	117	7,37
91302243	SPB224-03	3	224	231	5	2517	60	-	63	181	-	45	18	117	7,47
91302363	SPB236-03	3	236	243	5	2517	60	-	63	193	-	45	18	117	7,95
91302503	SPB250-03	3	250	257	5	3020	75	-	63	207	-	51	12	144	9,53
91302803	SPB280-03	3	280	287	5	3020	75	-	63	237	6	51	6	144	10,86
91303003	SPB300-03	3	300	307	5	3020	75	-	63	257	6	51	6	144	11,45
91303153	SPB315-03	3	315	322	5	3020	75	-	63	272	6	51	6	144	12,25
91303353	SPB335-03	3	335	342	5	3020	75	-	63	292	6	51	6	144	12,75
91303553	SPB355-03	3	355	362	5	3020	75	-	63	312	6	51	6	144	14,85
91304003	SPB400-03	3	400	407	4	3535	90	-	63	357	13	89	13	175	20,95
91304503	SPB450-03	3	450	457	4	3535	90	-	63	407	-	89	26	175	24,5
91305003	SPB500-03	3	500	507	4	3535	90	-	63	457	-	89	26	175	27,5
91305603	SPB560-03	3	560	567	4	3535	90	-	63	517	-	89	26	175	29,32
91306303	SPB630-03	3	630	637	4	3535	90	-	63	587	-	89	26	175	35,1
91307103	SPB710-03	3	710	717	4	3535	90	-	63	664	13	89	13	175	42,3
91308003	SPB800-03	3	800	807	4	3535	90	-	63	754	13	89	13	175	48,75
91309003	SPB900-03	3	900	907	4	3535	90	-	63	854	13	89	13	175	55,5
91310003	SPB1000-03	3	1000	1007	4	4040	100	-	63	954	19,5	102	19,5	210	76,4
91312503	SPB1250-03	3	1250	1257	4	4040	100	-	63	1204	19,5	102	19,5	210	102

MATERIAL CAST-IRON

CAD drawings available on our site  
[www.chiaravalli.com](http://www.chiaravalli.com)

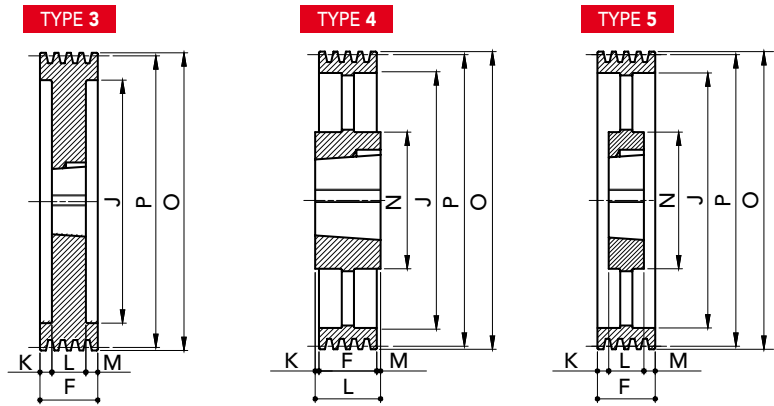
Quantity, availability and prices  
 on B2B Chiaravalli



## TAPER BUSHES

## SPB/04 TYPE

We are engaged to respect shapes and dimensions shown on this sheet but, we reserve the right to make changes and modifications without notice.



PRODUCT CODE	PRODUCT MODEL	GROOVES	P	O	TYPE	BUSH	MAX BORE	E	F	J	K	L	M	N	WEIGHT (Kg)
91301254	SPB125-04	4	125	132	3	2012	50	-	82	82	25	32	25	-	3,27
91301324	SPB132-04	4	132	139	3	2012	50	-	82	89	25	32	25	-	3,65
91301404	SPB140-04	4	140	147	3	2517	60	-	82	100	18,5	45	18,5	-	3,76
91301504	SPB150-04	4	150	157	3	2517	60	-	82	107	18,5	45	18,5	-	4,7
91301604	SPB160-04	4	160	167	3	2517	60	-	82	117	18,5	45	18,5	-	5,55
91301704	SPB170-04	4	170	177	3	2517	60	-	82	127	18,5	45	18,5	-	6,48
91301804	SPB180-04	4	180	187	3	2517	60	-	82	137	18,5	45	18,5	-	7,4
91301904	SPB190-04	4	190	197	3	2517	60	-	82	147	18,5	45	18,5	-	8,4
91302004	SPB200-04	4	200	207	3	3020	75	-	82	157	15,5	51	15,5	-	9,14
91302124	SPB212-04	4	212	219	3	3020	75	-	82	169	15,5	51	15,5	-	10,6
91302244	SPB224-04	4	224	231	3	3020	75	-	82	181	15,5	51	15,5	-	12,1
91302364	SPB236-04	4	236	243	3	3020	75	-	82	193	15,5	51	15,5	-	13,8
91302504	SPB250-04	4	250	257	5	3020	75	-	82	207	15,5	51	15,5	144	11,2
91302804	SPB280-04	4	280	287	5	3020	75	-	82	237	15,5	51	15,5	144	12,95
91303004	SPB300-04	4	300	307	4	3535	90	-	82	257	-	89	7	175	18,25
91303154	SPB315-04	4	315	322	4	3535	90	-	82	272	3,5	89	3,5	175	19,25
91303354	SPB335-04	4	335	342	4	3535	90	-	82	292	3,5	89	3,5	175	20,75
91303554	SPB355-04	4	355	362	4	3535	90	-	82	312	3,5	89	3,5	175	21,62
91303754	SPB375-04	4	375	382	4	3535	90	-	82	332	3,5	89	3,5	175	23,05
91304004	SPB400-04	4	400	407	4	3535	90	-	82	357	3,5	89	3,5	175	24,76
91304504	SPB450-04	4	450	457	4	3535	90	-	82	407	-	89	7	175	27,83
91305004	SPB500-04	4	500	507	4	3535	90	-	82	457	-	89	7	175	30,84
91305604	SPB560-04	4	560	567	4	3535	90	-	82	517	-	89	7	175	36,05
91306304	SPB630-04	4	630	637	4	3535	90	-	82	587	-	89	7	175	40,12
91307104	SPB710-04	4	710	717	4	3535	90	-	82	664	3,5	89	3,5	175	47,5
91308004	SPB800-04	4	800	807	4	4040	100	-	82	754	10	102	10	210	63,4
91309004	SPB900-04	4	900	907	4	4040	100	-	82	854	10	102	10	210	75
91310004	SPB1000-04	4	1000	1007	4	4040	100	-	82	954	10	102	10	210	86,15
91312504	SPB1250-04	4	1250	1257	4	4545	110	/	82	1204	16	114	16	242	116

MATERIAL CAST-IRON

CAD drawings available on our site  
[www.chiaravalli.com](http://www.chiaravalli.com)

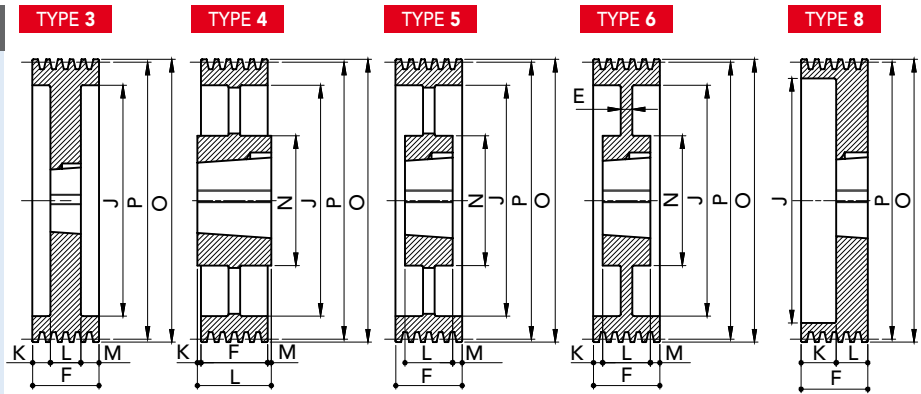
Quantity, availability and prices  
 on B2B Chiaravalli



## TAPER BUSHES

### SPB/05 TYPE

We are engaged to respect shapes and dimensions shown on this sheet but, we reserve the right to make changes and modifications without notice.



V-BELT PULLEYS for TAPER BUSHES

PRODUCT CODE	PRODUCT MODEL	GROOVES	P	O	TYPE	BUSH	MAX BORE	E	F	J	K	L	M	N	WEIGHT (Kg)
91301255	SPB125-05	5	125	132	8	2012	50	-	101	87	69	32	-	-	3,55
91301325	SPB132-05	5	132	139	8	2517	60	-	101	94	56	45	-	-	3,65
91301405	SPB140-05	5	140	147	3	2517	60	-	101	97	28	45	28	-	4,6
91301505	SPB150-05	5	150	157	3	2517	60	-	101	107	28	45	28	-	5,5
91301605	SPB160-05	5	160	167	3	2517	60	-	101	117	28	45	28	-	6,45
91301705	SPB170-05	5	170	177	3	3020	75	-	101	127	25	51	25	-	6,53
91301805	SPB180-05	5	180	187	3	3020	75	-	101	137	25	51	25	-	7,55
91301905	SPB190-05	5	190	197	3	3020	75	-	101	147	25	51	25	-	8,81
91302005	SPB200-05	5	200	207	3	3020	75	-	101	157	25	51	25	-	10,25
91302125	SPB212-05	5	212	219	3	3020	75	-	101	169	25	51	25	-	11,8
91302245	SPB224-05	5	224	231	3	3020	75	-	101	181	25	51	25	-	13,5
91302365	SPB236-05	5	236	243	3	3535	90	-	101	193	6	89	6	-	19,08
91302505	SPB250-05	5	250	257	3	3535	90	-	101	207	6	89	6	-	20,32
91302805	SPB280-05	5	280	287	6	3535	90	25	101	237	6	89	6	175	20,9
91303005	SPB300-05	5	300	307	5	3535	90	-	101	257	6	89	6	175	19,45
91303155	SPB315-05	5	315	322	5	3535	90	-	101	272	6	89	6	175	20,2
91303355	SPB335-05	5	335	342	5	3535	90	-	101	292	6	89	6	175	22,7
91303555	SPB355-05	5	355	362	5	3535	90	-	101	312	6	89	6	175	24,3
91304005	SPB400-05	5	400	407	5	3535	90	-	101	357	6	89	6	175	27,78
91304505	SPB450-05	5	450	457	5	3535	90	-	101	407	-	89	12	175	31,35
91305005	SPB500-05	5	500	507	5	3535	90	-	101	457	-	89	12	175	35,15
91305605	SPB560-05	5	560	567	4	4040	100	-	101	517	-	102	1	210	45,3
91306305	SPB630-05	5	630	637	4	4040	100	-	101	587	-	102	1	210	50,15
91307105	SPB710-05	5	710	717	4	4040	100	-	101	664	-	102	1	210	60,2
91308005	SPB800-05	5	800	807	4	4040	100	-	101	754	-	102	1	210	68
91310005	SPB1000-05	5	1000	1007	4	4545	110	-	101	954	6,5	114	6,5	242	99,75
91312505	SPB1250-05	5	1250	1257	4	4545	110	-	101	1204	6,5	114	6,5	242	133,2

MATERIAL **CAST-IRON**

CAD drawings available on our site  
[www.chiaravalli.com](http://www.chiaravalli.com)

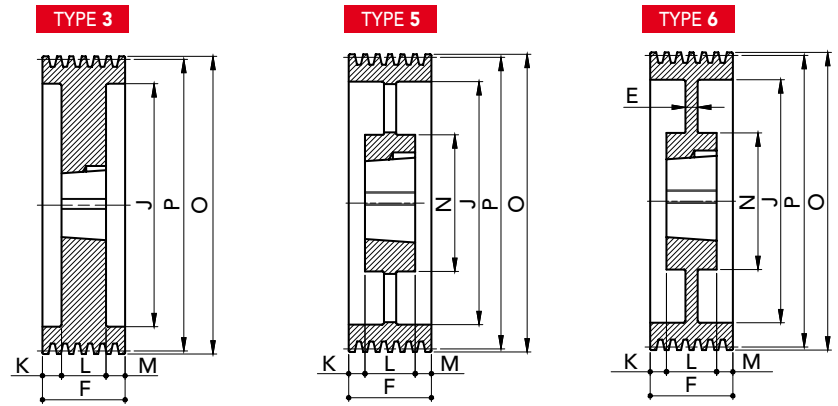
Quantity, availability and prices  
 on B2B Chiaravalli



## TAPER BUSHES

## SPB/06 TYPE

We are engaged to respect shapes and dimensions shown on this sheet but, we reserve the right to make changes and modifications without notice.



PRODUCT CODE	PRODUCT MODEL	GROOVES	P	O	TYPE	BUSH	MAX BORE	E	F	J	K	L	M	N	WEIGHT (Kg)
91301406	SPB140-06	6	140	147	3	2517	60	-	120	100	37,5	45	37,5	-	5,1
91301506	SPB150-06	6	150	157	3	2517	60	-	120	107	37,5	45	37,5	-	6,25
91301606	SPB160-06	6	160	167	3	3020	75	-	120	119	34,5	51	34,5	-	6,18
91301706	SPB170-06	6	170	177	3	3020	75	-	120	127	34,5	51	34,5	-	7,35
91301806	SPB180-06	6	180	187	3	3020	75	-	120	137	34,5	51	34,5	-	8,57
91301906	SPB190-06	6	190	197	3	3020	75	-	120	147	34,5	51	34,5	-	9,75
91302006	SPB200-06	6	200	207	3	3020	75	-	120	157	34,5	51	34,5	-	11,46
91302126	SPB212-06	6	212	219	3	3535	90	-	120	169	15,5	89	15,5	-	14,95
91302246	SPB224-06	6	224	231	3	3535	90	-	120	181	15,5	89	15,5	-	17,57
91302366	SPB236-06	6	236	243	3	3535	90	-	120	193	15,5	89	15,5	-	20,25
91302506	SPB250-06	6	250	257	3	3535	90	-	120	207	15,5	89	15,5	-	23,74
91302806	SPB280-06	6	280	287	6	3535	90	25	120	237	15,5	89	15,5	175	22,52
91303006	SPB300-06	6	300	307	5	3535	90	-	120	257	15,5	89	15,5	175	22,35
91303156	SPB315-06	6	315	322	5	3535	90	-	120	272	15,5	89	15,5	175	23,55
91303356	SPB335-06	6	335	342	5	3535	90	-	120	292	15,5	89	15,5	175	25,05
91303556	SPB355-06	6	355	362	5	3535	90	-	120	312	15,5	89	15,5	175	26,08
91304006	SPB400-06	6	400	407	5	3535	90	-	120	357	15,5	89	15,5	175	29,85
91304506	SPB450-06	6	450	457	5	4040	100	-	120	407	/	102	18	210	39,3
91305006	SPB500-06	6	500	507	5	4040	100	-	120	457	/	102	18	210	43,43
91305606	SPB560-06	6	560	567	5	4040	100	-	120	517	/	102	18	210	48,55
91306306	SPB630-06	6	630	637	5	4040	100	-	120	587	/	102	18	210	54,7
91307106	SPB710-06	6	710	717	5	4040	100	-	120	664	9	102	9	210	65,98
91308006	SPB800-06	6	800	807	5	4545	110	-	120	754	3	114	3	242	77,52
91310006	SPB1000-06	6	1000	1007	5	4545	110	-	120	954	3	114	3	242	111
91312506	SPB1250-06	6	1250	1257	5	4545	110	-	120	1204	3	114	3	242	144

MATERIAL CAST-IRON

CAD drawings available on our site  
[www.chiaravalli.com](http://www.chiaravalli.com)

Quantity, availability and prices  
 on B2B Chiaravalli



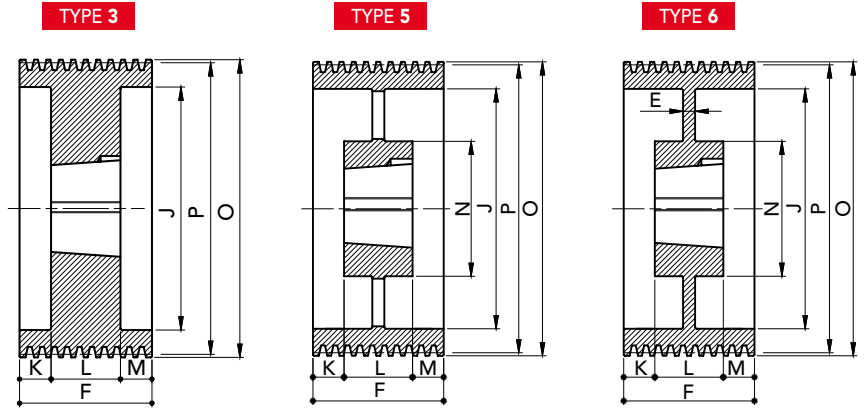




## TAPER BUSHES

### SPB/10 TYPE

We are engaged to respect shapes and dimensions shown on this sheet but, we reserve the right to make changes and modifications without notice.



PRODUCT CODE	PRODUCT MODEL	GROOVES	P	O	TYPE	BUSH	MAX BORE	E	F	J	K	L	M	N	WEIGHT (Kg)
91302210	SPB224-10	10	224	231	3	3535	90	-	196	181	53,5	89	53,5	-	23,1
91303510	SPB355-10	10	355	362	5	4040	100	-	196	312	47	102	47	210	43
91307010	SPB710-10	10	710	717	5	4545	110	-	196	664	41	114	41	242	95,7
91308010	SPB800-10	10	800	807	5	4545	110	-	196	754	41	114	41	242	112
91310010	SPB1000-10	10	1000	1007	5	5050	125	-	196	954	34,5	127	34,5	267	150
91312510	SPB1250-10	10	1250	1257	5	5050	125	-	196	1204	34,5	127	34,5	267	201

MATERIAL **CAST-IRON**

CAD drawings available on our site  
[www.chiaravalli.com](http://www.chiaravalli.com)

Quantity, availability and prices  
 on B2B Chiaravalli